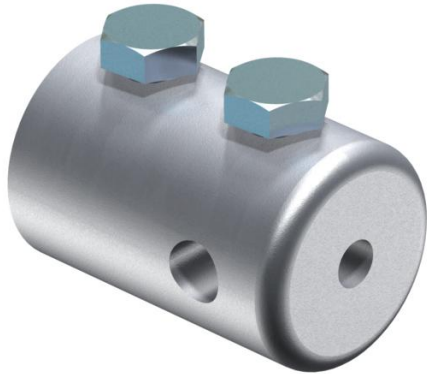


Technical data sheet

End piece

Item number: 5408395



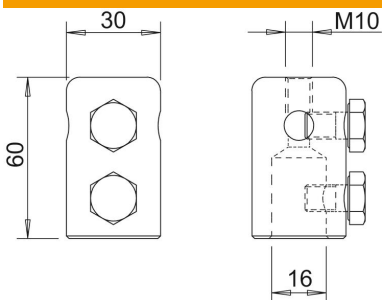
- End piece for attaching round conductors Rd 8-10 and air-termination tips, type 101 ISP
- With M10 internal thread, e.g. for mounting a Vario quick connector for fixed conductor routing at intersections
- With M10 bolts

Alu Aluminium

Master data

Item number	5408395
Description 1	End piece
Description 2	for 16 mm GFK rods
Manufacturer	OBO
Dimension	16mm
Material	Aluminium
Smallest sales unit	10
Unit of quantity	Piece
Weight	10 kg
Weight unit	kg/100 pc.

Dimensions



Length	60 mm
Dimension d min.	30 mm
Dimension d Ø	16 mm
Dimension L	60 mm

Technical data

Connection	Round conductor
------------	-----------------