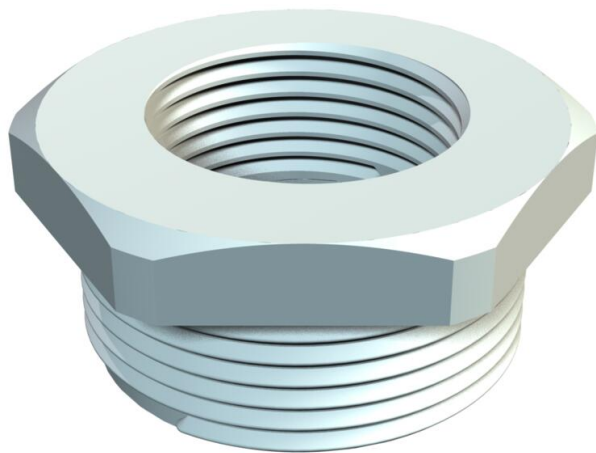


Technical data sheet

Reduction, PG thread

Item number: 2030829



Reduction with PG internal and external thread to DIN 40430 for mounting plastic cable glands on enclosures. Protection class IP54 without additional connecting seal. Protection class up to IP68 possible with additional connecting seal, e.g. O-ring or flat sealing ring.



PA Polyamide

Master data

| | |
|---------------------|----------------------|
| Item number | 2030829 |
| Description 1 | Reduction |
| Manufacturer | OBO |
| Dimension | PG36-PG21 |
| Colour | Light grey; RAL 7035 |
| Material | Polyamide |
| Smallest sales unit | 25 |
| Unit of quantity | Piece |
| Weight | 2.35 kg |
| Weight unit | kg/100 pc. |

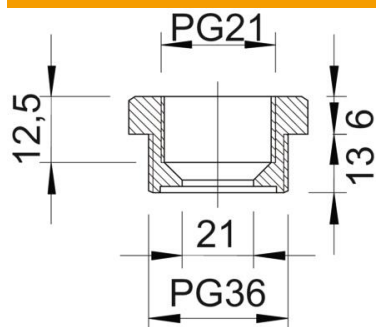
Technical data sheet

Reduction, PG thread

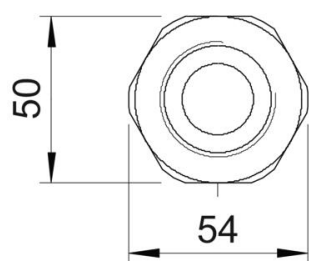
Item number: 2030829



Dimensions



| | |
|--------------|---------|
| Dimension D | 21 mm |
| Dimension E | 54 mm |
| Dimension L1 | 13 mm |
| Dimension L2 | 6 mm |
| Dimension L3 | 12.5 mm |



Technical data

| | |
|--------------------------------|-------|
| explosion-proof | no |
| Thread type: External thread | PG |
| Thread type: Internal thread | PG |
| Thread length | 13 mm |
| Thread dimension, PG, external | 36 |
| Thread dimension, PG, internal | 21 |
| Halogen-free | yes |
| WAF | 50 |
| Nickel-plated | no |