

Technical data sheet

Locknut, metric thread, light grey

Item number: 2048930



Locknut DIN 46319, with metric thread IEC 423.



PA Polyamide

Master data

Item number	2048930
Type	116 M25 LGR PA
Description 1	Locknut
Manufacturer	OBO
Dimension	M25
Colour	Light grey; RAL 7035
Material	Polyamide
Smallest sales unit	100
Unit of quantity	Piece
Weight	0.297 kg
Weight unit	kg/100 pc.

Technical data sheet

Locknut, metric thread, light grey

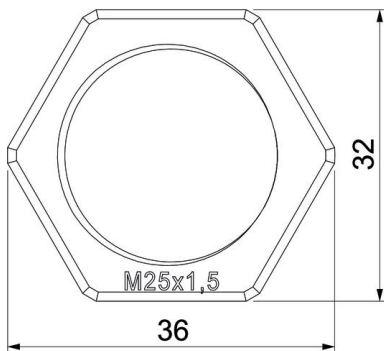
Item number: 2048930



Dimensions



Dimension E	36 mm
Dimension L	6.5 mm



Technical data

Thread	M25_x_1,5
Thread type	Metric
Nominal thread size metric/PG	25
Fibre-glass reinforced	no
Halogen-free	yes
Impact-resistant	no
WAF	32