

Technical data sheet

Cable bracket for flat conductors

Item number: 5229464



- For flat strap
- With internal thread (G)
- Mounting height 30 mm



Zn	Die-cast zinc
VZ	galvanised

Master data

Item number	5229464
Type	168 FL30-M6
Description 1	Cable fixing device
Description 2	for flat conductors
Manufacturer	OBO
Dimension	30mm
Material	Die-cast zinc
Surface	galvanised
Surface standard	
Smallest sales unit	20
Unit of quantity	Piece
Weight	7.64 kg
Weight unit	kg/100 pc.

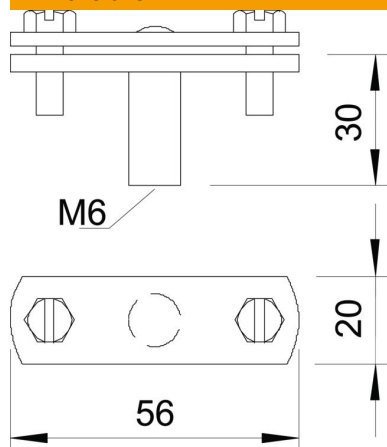
Technical data sheet

Cable bracket for flat conductors

Item number: 5229464



Dimensions



Dimension B	56 mm
Dimension G	M6 mm

Technical data

Holder fastening type	Drill hole with M-thread
Conductor fastening type	With screw clip
Use in Ex area	yes
Thread	M6
Thread metric	6
High voltage-resistant, insulated version	no
Cable dimensions	30 x 4 mm flat
Material of the holder	Die-cast zinc
Material of the base	Die-cast zinc
Material of the crossbar	Die-cast zinc