

Technical data sheet

Cable bracket for flat conductors

Item number: 5229553



- For flat strap
- With internal thread (G)
- Mounting height 30 mm



- SG** cast steel
- FT** Hot-dip galvanised

Master data

Item number	5229553
Type	168 FL40-M8
Description 1	Cable fixing device
Description 2	for flat conductors
Manufacturer	OBO
Dimension	40mm
Material	cast steel
Surface	Hot-dip galvanised
Surface standard	DIN EN ISO 1461
Smallest sales unit	20
Unit of quantity	Piece
Weight	8.2 kg
Weight unit	kg/100 pc.

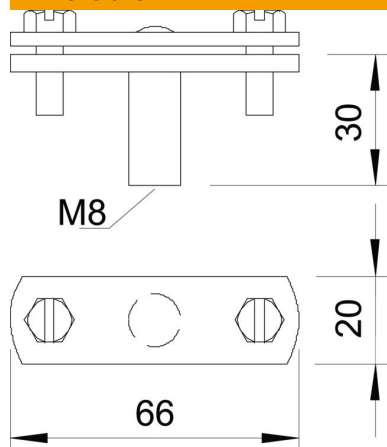
Technical data sheet

Cable bracket for flat conductors

Item number: 5229553



Dimensions



Dimension B	66 mm
Dimension G	M8 mm

Technical data

Holder fastening type	Drill hole with M-thread
Conductor fastening type	With screw clip
Use in Ex area	yes
Thread	M8
Thread metric	8
High voltage-resistant, insulated version	no
Cable dimensions	40 x 4 mm flat
Material of the holder	Malleable iron
Material of the base	Malleable iron
Material of the crossbar	Malleable iron