

# Technical data sheet

Locknut, PG thread

Item number: 2091097



Locknuts, part M to DIN 46320 with Pg thread to DIN 40430. \* Price according to DEL notation.



**CuZn**  
37 Brass

**N** Nickel-plated

## Master data

Item number	2091097
Type	169 MS PG 9
Description 1	Locknut
Manufacturer	OBO
Dimension	PG9
Material	Brass
Surface	Nickel-plated
Surface standard	
Smallest sales unit	100
Unit of quantity	Piece
Weight	0.26 kg
Weight unit	kg/100 pc.

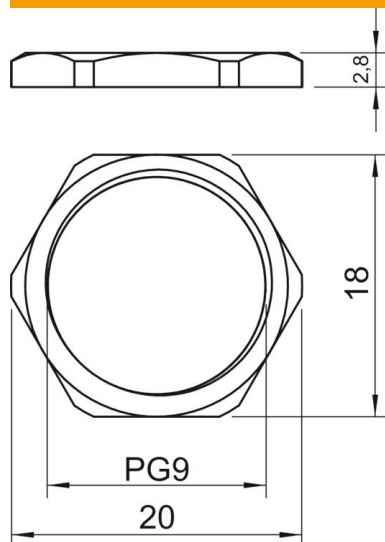
# Technical data sheet

Locknut, PG thread

Item number: 2091097



## Dimensions



Dimension E	20 mm
Dimension L	2.8 mm

## Technical data

Thread	Pg_9
Thread type	PG
Nominal thread size metric/PG	9
Fibre-glass reinforced	no
Halogen-free	no
Impact-resistant	no
WAF	18