

Technical data sheet

Cable bracket for Rd 8 mm, fastening with screw and anchor

Item number: 5207901



- With female thread M8 or through hole Ø 5 mm
- From stainless steel (V2A)
- With pre-mounted wood screws (5 x 60) and plastic dowels (8 x 40)

A2 Stainless steel

Master data

Item number	5207901
Type	177 20 VA B-HD
Description 1	Cable fixing device complete
Description 2	for round conductor
Manufacturer	OBO
Dimension	8mm
Material	Stainless steel
Smallest sales unit	50
Unit of quantity	Piece
Weight	2.9 kg
Weight unit	kg/100 pc.

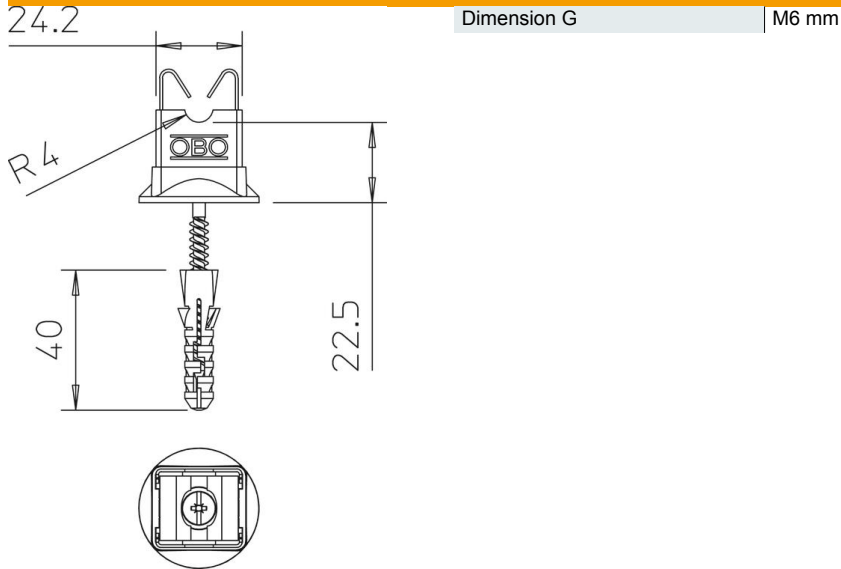
Technical data sheet

Cable bracket for Rd 8 mm, fastening with screw and anchor

Item number: 5207901



Dimensions



Technical data

Holder fastening type	With anchor
Conductor fastening type	With clamp clip
High voltage-resistant, insulated version	no
Cable dimensions	8 mm round
Mounting height	20 mm