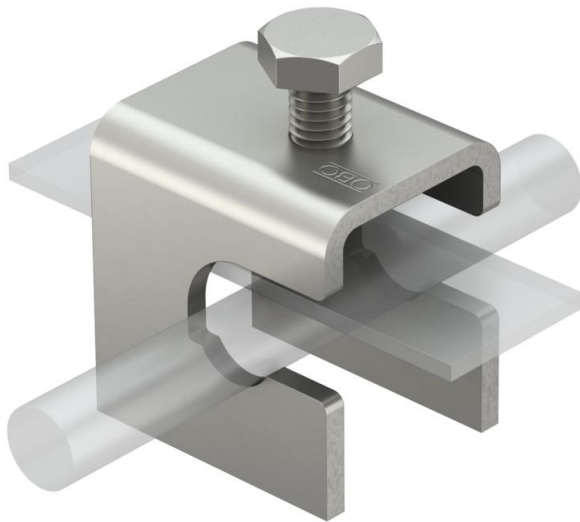


Technical data sheet

VARIO earthing terminal for reinforced steels

Item number: 5014476



- For reinforced steels with diameters 8-14 mm and FL 30 x 5
- Simple mounting through open slot
- Side suspension possible



St Steel

Master data

Item number	5014476
Type	1814 ST
Description 1	Variable earthing terminal
Description 2	for reinforcement
Manufacturer	OBO
Dimension	50x40x70
Material	Steel
Smallest sales unit	25
Unit of quantity	Piece
Weight	20 kg
Weight unit	kg/100 pc.

Technical data

Type of fastening screw	Hexagonal bolt
Type of connector	Connectors
Lightning current carrying capacity	N/50 kA
Suitable for connection	Miscellaneous
Short-circuit current (50 Hz)(1 s; ≤300°C)	7.3
Fit	FL30x5 x Rd8-14 mm