

Technical data sheet

Counter-trough, metal universal, DD

Item number: 1199870



Metal counter-trough, for mounting on clamp clip. Can be used universally, irrespective of the rail.



St Steel

DD Strip galvanised zinc/aluminium, Double Dip

Master data

| | |
|-----------------------------------|---|
| Item number | 1199870 |
| Description 1 | Counter-trough |
| Manufacturer | OBO |
| Dimension | 22-28mm |
| Material | Steel |
| Surface | Strip galvanised zinc/aluminium, Double Dip |
| Surface standard | DIN EN 10346 |
| Smallest sales unit | 100 |
| Unit of quantity | Piece |
| Weight | 1.4 kg |
| Weight unit | kg/100 pc. |
| CO Footprint (GWP) Cradle-to-Gate | 0,101 kg COe / 1 Piece |

Technical data sheet

Counter-trough, metal universal, DD

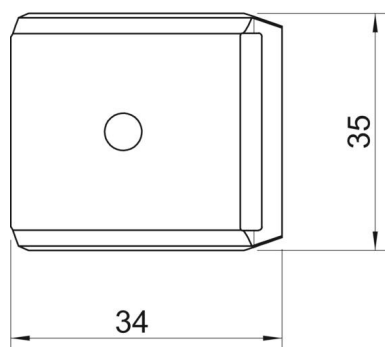
Item number: 1199870



Dimensions



| | |
|-------------|---------|
| Dimension B | 34 mm |
| Dimension H | 10.4 mm |
| Dimension L | 35 mm |



Technical data

| | |
|----------------------------------|----------------|
| Counter-trough/clip version | Counter sleeve |
| Suitable for max. cable diameter | 28 mm |
| Halogen-free | yes |
| Clamping range D, max. | 28 mm |
| Clamping range D, min. | 22 mm |