

Technical data sheet

Base clamp clip, single

Item number: 2140284



Can be screwed onto M6 thread.



PP Polypropylene

Master data

| | |
|---------------------|----------------------|
| Item number | 2140284 |
| Type | 2962 28 LGR |
| Description 1 | Base clamp |
| Manufacturer | OBO |
| Dimension | 25-28mm |
| Colour | Light grey; RAL 7035 |
| Material | Polypropylene |
| Smallest sales unit | 25 |
| Unit of quantity | Piece |
| Weight | 0.948 kg |
| Weight unit | kg/100 pc. |

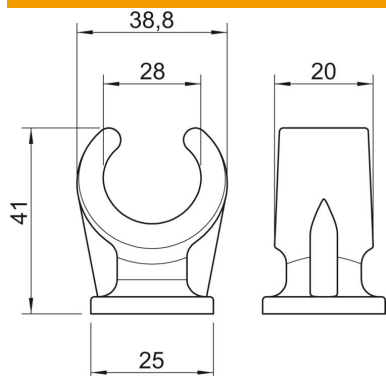
Technical data sheet

Base clamp clip, single

Item number: 2140284



Dimensions



| | |
|-------------|---------|
| Dimension A | 38.8 mm |
| Dimension B | 20 mm |
| Dimension C | 25 mm |
| Dimension H | 41 mm |

Technical data

| | |
|----------------------------------|---------------------|
| Number of cables/pipes | 1 |
| Version for | Single-lobe |
| Fastening type | Threaded connection |
| Suitable in fire protection area | no |
| Size | 25-28 |
| Halogen-free | yes |
| Plastic-covered | no |
| Nominal diameter | 25 mm |
| Clamping range D, max. | 28 mm |
| Clamping range D, min. | 25 mm |
| UV-resistant | no |