

# Technical data sheet

## Fastening clip 605, medium-duty, V4A

Item number: 1018653



Two lobe fastening clips for cables and pipes.  
\* Sizes 7 to 12 not suitable for bolt-firing tool.



**A4** Stainless steel

**2B** Bright, treated

### Master data

Item number	1018653
Type	605 12 A4
Description 1	Fastening clip
Description 2	two lobe
Manufacturer	OBO
Dimension	12mm
Material	Stainless steel
Surface	Bright, treated
Surface standard	
Smallest sales unit	100
Unit of quantity	Piece
Weight	0.485 kg
Weight unit	kg/100 pc.
CO Footprint (GWP) Cradle-to-Gate	0,0263 kg COe / 1 Piece

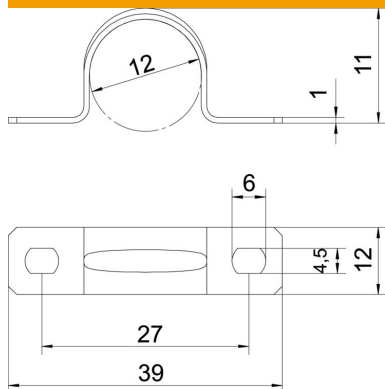
# Technical data sheet

## Fastening clip 605, medium-duty, V4A

Item number: 1018653



### Dimensions



Length	39 mm
Width	12 mm
Height	11 mm
Dimension A	39 mm
Dimension B	27 mm
Dimension b	12 mm
Dimension D	12 mm
Dimension d	4.5 mm
Dimension e	6 mm
Dimension H	11 mm
Dimension t	1 mm

### Technical data

Distance to the wall	no
Number of cables/pipes	1
Version for	Two-lobe
Fastening type	Screw hole
For diameter	12
Suitable in fire protection area	no
Halogen-free	yes
Plastic-covered	no
Hole size	4,5 x 6 mm
Material thickness	1 mm
Nominal diameter	12 mm
UV-resistant	yes