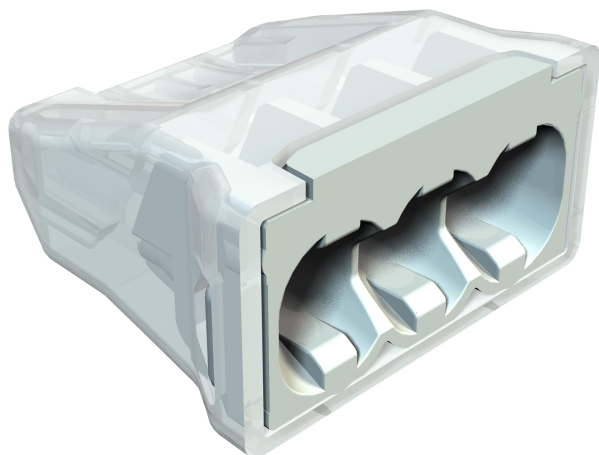


Technical data sheet

Screwless terminal, 3-pole

Item number: 2054485



Tested according to EN 60998
Screwless terminal to connect single-strand cables.

Nominal cross-section:
3 x 0.5 mm² to 2.5 mm² single-wire conductors

3 x 1.5 mm² to 2.5 mm² rigid, multi-wire conductors

Rated voltage 450 V

Rated current 24 A

Stripping length: 8-9 mm

Test opening: Phase tester and testing pin (max. Ø 2 mm)

Max. approved ambient temperature according to EN 60998: -5 to +90 °C.



PA Polyamide

Master data

Item number	2054485
Description 1	Plug-in terminal
Description 2	screwless terminal
Manufacturer	OBO
Dimension	3x2,5mm ²
Colour	Light grey; RAL 7035
Material	Polyamide
Smallest sales unit	100
Unit of quantity	Piece
Weight	0.135 kg
Weight unit	kg/100 pc.

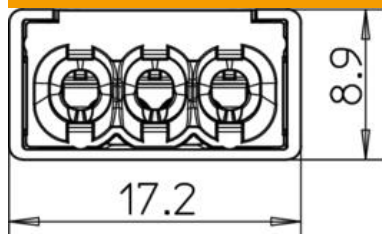
Technical data sheet

Screwless terminal, 3-pole

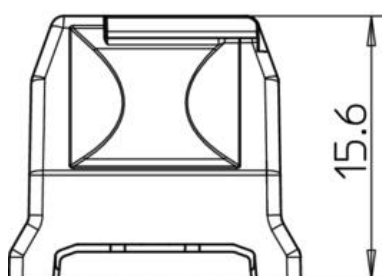
Item number: 2054485



Dimensions



Length	17.2 mm
Width	15.6 mm
Height	8.9 mm



Technical data

Connectable conductor cross-section, single-wire, max.	2.5 mm ²
Connectable conductor cross-section, single-wire, min.	0.5 mm ²
Connectable conductor cross-section, multi-wire, max.	2.5 mm ²
Connectable conductor cross-section, multi-wire, min.	1.5 mm ²
No. of terminals	3
Flame-resistant	Acc. to VDE 0471/DIN 695 Part 2-1, test temperature 850 °C
Suitable for flexible conductors	no
Suitable for solid conductors	no
Suitable for multi-wire conductors	yes
With actuating levers	no
Nominal cross-section, max.	2.5 mm ²
Nominal cross-section, min.	0.5 mm ²
Nominal voltage	450 V
Nominal current	24 A
Pole number	3
Cross-section	3 x 0.5 mm ² to 2.5 mm ² single-wire conductors 3 x 1.5 mm ² to 2.5 mm ² rigid, multi-wire conductors mm ²
Permitted temperature range, max.	90 °C
Permitted temperature range, min.	-5 °C