

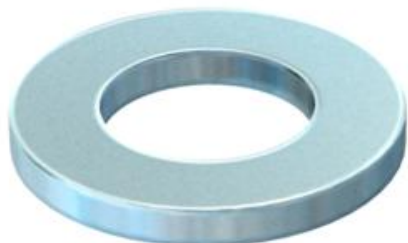
Technical data sheet

Washer F

Item number: 3402479



Washer for universal use.



St Steel

F Hot galvanized

Master data

Item number	3402479
Type	966 M12 F
Description 1	Washer
Description 2	to DIN 125/A
Manufacturer	OBO
Dimension	M12
Material	Steel
Surface	Hot galvanized
Surface standard	DIN 267, Teil 10
Smallest sales unit	100
Unit of quantity	Piece
Weight	0.62 kg
Weight unit	kg/100 pc.

Dimensions

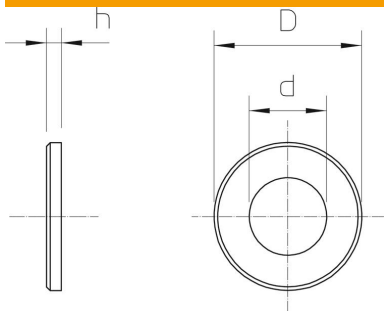


Plate thickness	0.1 in
Dimension D	0.94 in
Dimension d	0.53 in
Dimension d	13.5 mm
Dimension d max.	24 mm
Dimension d min.	24 mm
Dimension h	2.5 mm

Technical data sheet

Washer F

Item number: 3402479



Technical data

Thread	M12
Inner diameter	13 mm
Hole diameter	13 mm
Material thickness	2.5 mm
Hole shape	Round