

Technical data sheet

Washer F

Item number: 3402452



Washer for universal use.



St Steel

F Hot galvanized

Master data

Item number	3402452
Type	966 M8 F
Description 1	Washer
Description 2	to DIN 125/A
Manufacturer	OBO
Dimension	M8
Material	Steel
Surface	Hot galvanized
Surface standard	DIN 267, Teil 10
Smallest sales unit	100
Unit of quantity	Piece
Weight	0.177 kg
Weight unit	kg/100 pc.

Dimensions

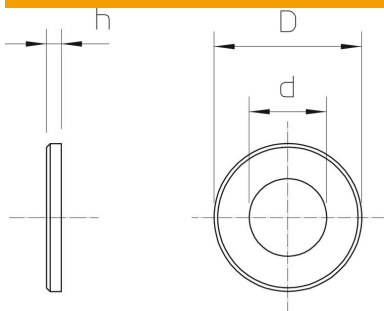


Plate thickness	0.06 in
Dimension D	0.63 in
Dimension d	0.35 in
Dimension d	9 mm
Dimension d max.	16 mm
Dimension d min.	16 mm
Dimension h	1.6 mm

Technical data sheet

Washer F

Item number: 3402452



Technical data

Thread	M8
Inner diameter	8.4 mm
Hole diameter	8.4 mm
Material thickness	1.6 mm
Hole shape	Round