

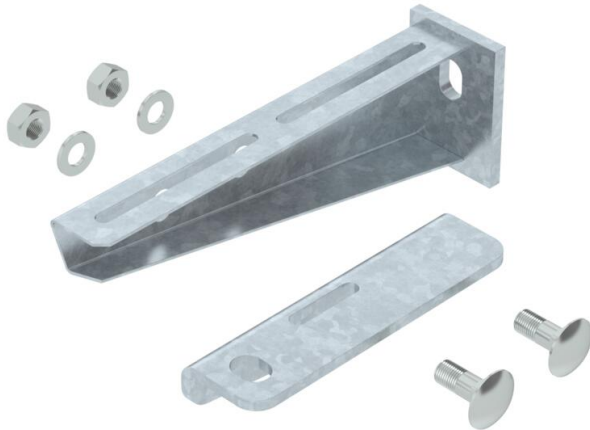
Technical data sheet

Wall and support bracket AW 30 F

Item number: 6417094



Bracket for mounting on suspended supports or as wall bracket for cable tray routing type above fire protection ceilings and for routing types with cable ladders and cable trays for the maintenance of electrical function according to DIN 4102 Part 12. The brackets are supplied ready-mounted.



The brackets, type AW30F..., are supplied ready-mounted. Including one connecting bracket and two truss-head bolts M10 x 25 with nut and washer.



St Steel

FT Hot-dip galvanised

Master data

Item number	6417094
Type	AW30F51 FT
Description 1	Bracket
Description 2	with connection profile
Manufacturer	OBO
Dimension	B510mm
Material	Steel
Surface	Hot-dip galvanised
Surface standard	DIN EN ISO 1461
Smallest sales unit	1
Unit of quantity	Piece
Weight	170 kg
Weight unit	kg/100 pc.

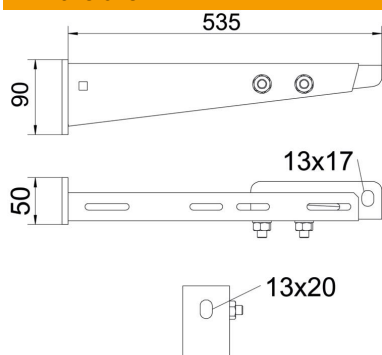
Technical data sheet

Wall and support bracket AW 30 F

Item number: 6417094



Dimensions



Length	50 mm
Width	510 mm
Height	90 mm
Dimension A	50 mm
Dimension B	510 mm
Dimension b	510 mm
Dimension C	520 mm
Dimension H	90 mm

Technical data

Version for	Wall and support bracket
Maintain electrical functions	no
for width min.	500
Rustproof steel, pickled	no
Angle range, max.	90 mm
Angle range, min.	90 mm