

Technical data sheet

Wall and support bracket AW 15 A4

Item number: 6392024



Light-duty wall and support bracket with welded head plate.
Fastening of the bracket to the U support of width 400 mm or greater using a hexagonal bolt through both sides of the support. Please insert suitable spacers.



A4 Stainless steel

2B Bright, treated

Master data

| | |
|---------------------|--------------------------|
| Item number | 6392024 |
| Type | AW 15 31 A4 |
| Description 1 | Wall and support bracket |
| Description 2 | with welded head plate |
| Manufacturer | OBO |
| Dimension | B310mm |
| Material | Stainless steel |
| Surface | Bright, treated |
| Surface standard | |
| Smallest sales unit | 1 |
| Unit of quantity | Piece |
| Weight | 37.4 kg |
| Weight unit | kg/100 pc. |

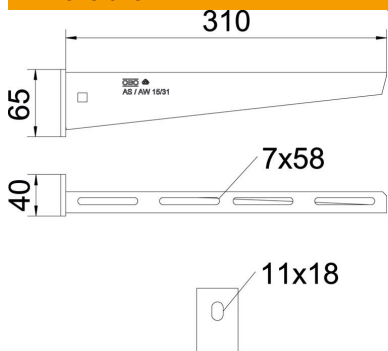
Technical data sheet

Wall and support bracket AW 15 A4

Item number: 6392024



Dimensions

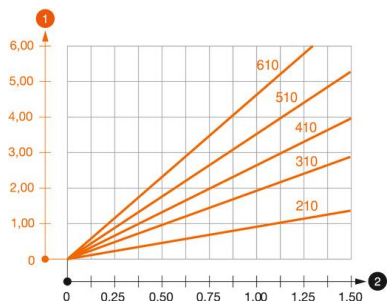


| | |
|-------------|--------|
| Length | 40 mm |
| Width | 310 mm |
| Height | 65 mm |
| Dimension A | 40 mm |
| Dimension B | 310 mm |
| Dimension H | 65 mm |

Technical data

| | |
|-------------------------------|--------------------------|
| Version for | Wall and support bracket |
| F in kN | 1.5 kN |
| Maintain electrical functions | no |
| Hole diameter | 11 mm |
| Rustproof steel, pickled | yes |
| Angle range, max. | 90 mm |
| Angle range, min. | 90 mm |

Loads



Load diagram, bracket, type AW 15

- 1 Bending of the bracket tip at permitted bracket load
- 2 Permitted bracket load in kN without man load
- Load curve with bracket lengths in mm

Characteristic anchor load values for wall bracket AW 15

| Wall fastening | Max. load [kN] | | | | | | | |
|----------------|--------------------|-----|-----|------|------|------|------|------|
| | Bracket width [mm] | | | | | | | |
| Anchor type | 110 | 160 | 210 | 310 | 410 | 510 | 560 | 610 |
| BZ3 10x90/0-30 | 1.5 | 1.5 | 1.5 | 1.47 | 1.25 | 1.13 | 0.95 | 0.94 |

Die angegebenen Werte basieren auf ungerissenen Beton der Festigkeitsklasse C20/25. Die Einbaubedingungen der ETA-Zulassung (Dübel) sind zu beachten!