

# Technical data sheet

## Single frame BRK

Item number: 6121102



Frame for Modul 45 locking connection (to accept the support plate for Keystone modules).



**PC/ABS** Polycarbonate/Acrylnitrile-butadiene-styrene

### Master data

Item number	6121102
Type	BRK CF1 M45 cws
Description 1	Single frame
Description 2	SIGNA Modul 45 9001
Manufacturer	OBO
Dimension	66x80x28
Colour	Cream; RAL 9001
Material	Polycarbonate/Acrylnitrile-butadiene-styrene
Smallest sales unit	1
Unit of quantity	Piece
Weight	1.75 kg
Weight unit	kg/100 pc.

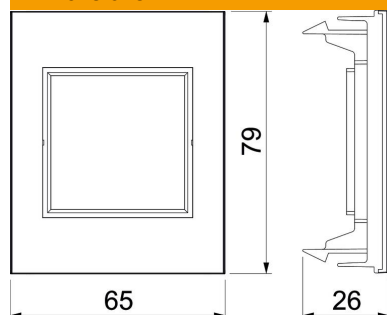
# Technical data sheet

## Single frame BRK

Item number: 6121102



### Dimensions



Width	66 mm
Height	80 mm

### Technical data

Number of units	1
Number of units, horizontal	1
Anzahl der Einheiten vertikal	0
Surface version	Matt
Fastening type	Clamp fastening
Flush-mounted version	no
Suitable for built-in installations	no
Suitable for device installation ducts	yes
Suitable for underfloor duct socket	no
Suitable for flush-mounted installations	no
Halogen-free	yes
Hinged cover	no
Mounting direction	Horizontal and vertical
Protection rating	IP20
Text field/inscription field	no
Depth	28 mm
Transparent	no
Concealed	no
With mounting frame	no
Diameter opening	0