

Technical data sheet

Clamp clip 2056 H-foot, 1-fold, metal pressure sleeve, FT

Item number: 1186097



Clamp clip with hammerhead foot, metal pressure sleeve with rounded edges to protect the cable. For vertical and horizontal mounting of 1 single cable on a C-profile rail. For a slot width 16–17 mm. With 1-start screw thread on pressure sleeve, universal hexagonal screw head WAF10, with slot and cross recess. Suitable for assembly indoors and outdoors. The counter-sleeve must be ordered separately.



St Steel

FT Hot-dip galvanised

Master data

Item number	1186097
Type	BS-H1-M-100 FT
Description 1	Clamp clip 2056
Manufacturer	OBO
Dimension	90-100mm
Material	Steel
Surface	Hot-dip galvanised
Surface standard	DIN EN ISO 1461
Smallest sales unit	25
Unit of quantity	Piece
Weight	24.5 kg
Weight unit	kg/100 pc.

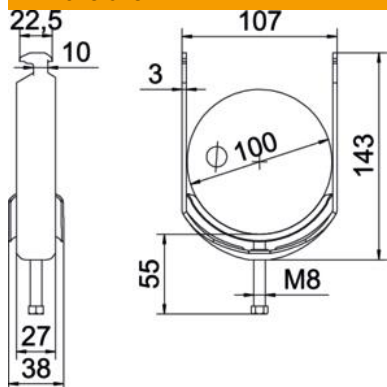
Technical data sheet

Clamp clip 2056 H-foot, 1-fold, metal pressure sleeve, FT



Item number: 1186097

Dimensions



Length	27 mm
Width	107 mm
Height	143 mm
Plate thickness	3 mm
Dimension A	27 mm
Dimension B	107 mm
Dimension C	38 mm
Dimension G (mm)	M8
Dimension H	143 mm
Dimension L	55 mm
Dimension t	3 mm

Technical data

Number of cables/pipes	1
Maintain electrical functions	yes
For pipe diameter, max.	100 mm
For pipe diameter, min.	90 mm
for rail with slot width (with interval), max.	17 mm
for rail with slot width (with interval), min.	16 mm
Thread	M8
Halogen-free	yes
Length of external dimensions	38 mm
Max. Tightening torque	5 Nm
With plastic trough	no
With metal trough	yes
Mounting type	Profile rail
Slot width	10 mm
Clamping range D, max.	100 mm
Clamping range D, min.	90 mm
Surface addition	hot galvanised
Material addition	Steel
With counter-trough	no
Material of trough	Steel