

# Technical data sheet

## Junction box, B 9/B M, with thread

Item number: 2001632



Protection rating IP54, nominal voltage 660 V, nominal cross-section 2.5 ÷ mm<sup>2</sup>, two fastening holes for screws up to 5 mm Ø on the outside of the box, four cover screws, 7 break-out entries with thread M20 x 1.5, primarily for cable glands with short connecting thread.

Clear internal dimensions: 73x73x35 mm.

B 9 B M VDE empty: without terminal block



Duroplast, Aminoplast

### Master data

Item number	2001632
Type	B 9 B M
Description 1	Junction box
Manufacturer	OBO
Dimension	82x82x46
Colour	Light grey; RAL 7035
Material	Duroplast, Aminoplast
Smallest sales unit	5
Unit of quantity	Piece
Weight	9.96 kg
Weight unit	kg/100 pc.

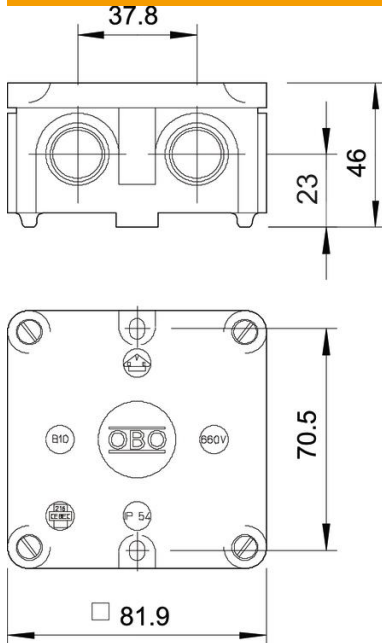
# Technical data sheet

## Junction box, B 9/B M, with thread

Item number: 2001632



### Dimensions



Length	81.9 mm
Width	81.9 mm
Height	46 mm

### Technical data

Expandable	no
No. of entries	7
Type of insertion...	Gland
Type of entry	Cable
Type of housing penetration	Thread and pre-marking
Measured insulation voltage $V_i$	400 V
Cover	Not transparent
Cover fastening	Screwed
Entry from rear	no
Entries	7 break-out entries with thread M20 x 1.5
Explosion-tested version	no
Flame-resistant	Acc. to VDE 0471/DIN 695 Part 2-1, test temperature 750°C
Shape	Square
Maintain electrical functions	Without
For Ex zone	Without
For Ex zone gas	Without
For Ex zone dust	Without
for pipe diameter	20 mm
Halogen-free	yes
Clear internal dimensions	73x73x35 mm
With screening	no
with lid	yes
Nominal cross-section, min.	2.5 mm <sup>2</sup>
Nominal voltage	660 V
Sealable	yes

# Technical data sheet

Junction box, B 9/B M, with thread

Item number: 2001632



## Technical data

Impact-resistant	no
Protection rating	IP54
Weatherproof	no