

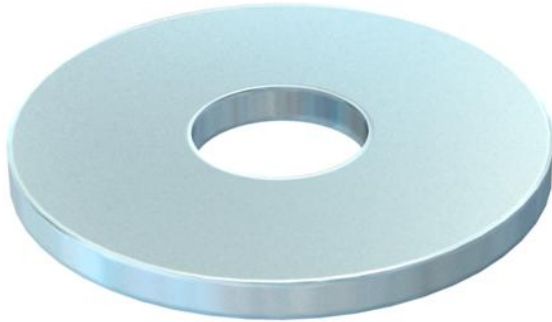
# Technical data sheet

## Large washer F

Item number: 6408702



Washer of particularly large outer diameter.



**St** Steel

**F** Hot galvanized

### Master data

Item number	6408702
Type	DIN440 7 F
Description 1	Washer
Description 2	to DIN 440
Manufacturer	OBO
Dimension	M6
Material	Steel
Surface	Hot galvanized
Surface standard	DIN 267, Teil 10
Smallest sales unit	100
Unit of quantity	Piece
Weight	0.535 kg
Weight unit	kg/100 pc.

### Dimensions

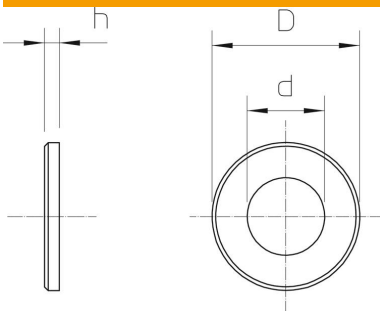


Plate thickness	0.08 in
Dimension D	0.87 in
Dimension d	0.26 in
Dimension d	6.6 mm
Dimension d max.	22 mm
Dimension d min.	22 mm
Dimension h	2 mm

# Technical data sheet

Large washer F

Item number: 6408702



## Technical data

Faceted	no
Hardened	no
Thread	M6
Inner diameter	6.6 mm
Hole diameter	6.6 mm
Material thickness	2 mm
Hole shape	Round