

Technical data sheet

Screw-in beam clamp, with gland hole

Item number: 1488023



With gland hole.

Max. tightening torque: 18 Nm



TG Cast iron

Master data

Item number	1488023
Type	FL 2 TG
Description 1	Carrier screw clamp
Description 2	with fastening hole
Manufacturer	OBO
Dimension	0-19mm
Material	Cast iron
Smallest sales unit	50
Unit of quantity	Piece
Weight	14 kg
Weight unit	kg/100 pc.

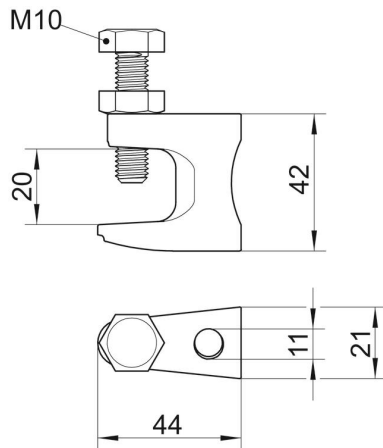
Technical data sheet

Screw-in beam clamp, with gland hole



Item number: 1488023

Dimensions



Length	44 mm
Width	21 mm
Height	42 mm
Dimension B	21 mm
Dimension D	11 mm
Dimension F	20 mm
Dimension G (mm)	M10
Dimension H	42 mm
Dimension L	44 mm

Technical data

Connection type/component	Hole
Fastening type	Bolts
Fastening hole	11 mm
Breaking load	2.5 kN
Flange thickness F max.	20 mm
Flange thickness F min.	0 mm
Thread	M10
Thread metric	10
Max. Tightening torque	18 Nm
Hinge, adjustable	no
Hinged	no