

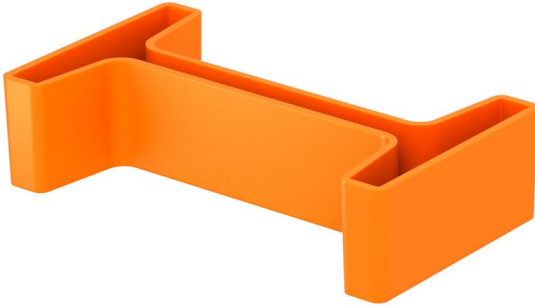
Technical data sheet

End cap

Item number: 6338519



End cap to cover the ends of IS 8 supports.

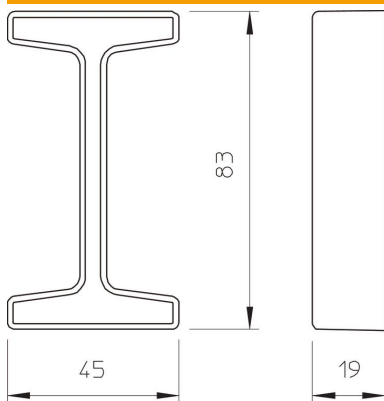


PE Polyethylene

Master data

Item number	6338519
Type	IS 8 KS OR
Description 1	Protective cap
Description 2	for IS 8 support
Manufacturer	OBO
Dimension	83x19
Colour	Pastel orange; RAL 2003
Material	Polyethylene
Smallest sales unit	20
Unit of quantity	Piece
Weight	0.705 kg
Weight unit	kg/100 pc.

Dimensions



Length	83 mm
Width	19 mm
Height	45 mm

Technical data sheet

End cap

Item number: 6338519



Technical data

Version for	End cap
Suitable for profile shapes	I profile