

# Technical data sheet

## Pipe bend, plastic, halogen-free

Item number: 2047736



Accessory part: 90° bend to EN 61386 (Code: 4421) for halogen-free electrical installation pipes.



PC/  
ABS

Polycarbonate/Acrylnitrile-butadiene-styrene

### Master data

Item number	2047736
Description 1	Plastic armoured pipe bend
Description 2	halogen-free
Manufacturer	OBO
Dimension	Ø16mm
Colour	Light grey; RAL 7035
Material	Polycarbonate/Acrylnitrile-butadiene-styrene
Smallest sales unit	10
Unit of quantity	Piece
Weight	2.5 kg
Weight unit	kg/100 pc.

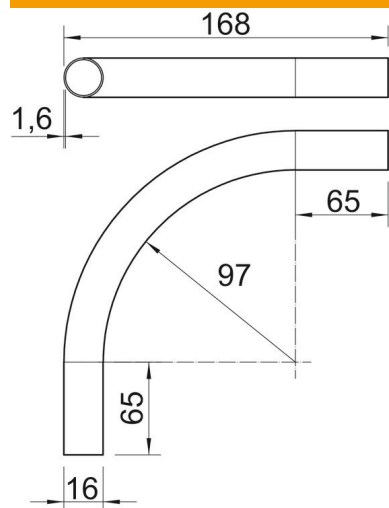
# Technical data sheet

Pipe bend, plastic, halogen-free

Item number: 2047736



## Dimensions



Length	168 mm
Dimension A	65 mm
Dimension D	16 mm
Dimension L	168 mm
Dimension m (mm)	M16
Dimension R	97 mm
Dimension t	1.6 mm

## Technical data

Version for	Connector
Flexible	no
For nominal pipe diameter	16 mm
Halogen-free	yes
With sleeve	no
Angle of the bend	90 °