

Technical data sheet

Pipe bend, plastic, halogen-free

Item number: 2047739



Accessory part: 90° bend to EN 61386 (Code: 4421) for halogen-free electrical installation pipes.



PC/
ABS

Polycarbonate/Acrylnitrile-butadiene-styrene

Master data

| | |
|---------------------|--|
| Item number | 2047739 |
| Description 1 | Plastic armoured pipe bend |
| Description 2 | halogen-free |
| Manufacturer | OBO |
| Dimension | Ø25mm |
| Colour | Light grey; RAL 7035 |
| Material | Polycarbonate/Acrylnitrile-butadiene-styrene |
| Smallest sales unit | 25 |
| Unit of quantity | Piece |
| Weight | 4.9 kg |
| Weight unit | kg/100 pc. |

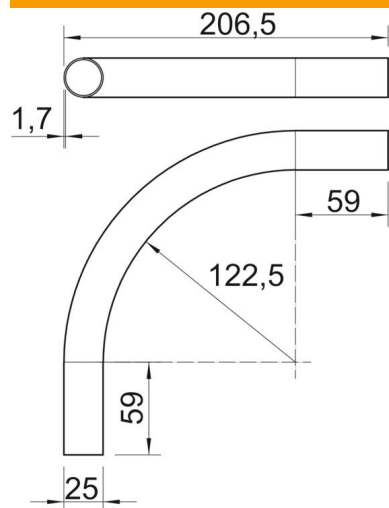
Technical data sheet

Pipe bend, plastic, halogen-free

Item number: 2047739



Dimensions



| | |
|------------------|----------|
| Length | 206.5 mm |
| Dimension A | 59 mm |
| Dimension D | 25 mm |
| Dimension L | 206.5 mm |
| Dimension m (mm) | M25 |
| Dimension R | 122.5 mm |
| Dimension t | 1.7 mm |

Technical data

| | |
|---------------------------|-----------|
| Version for | Connector |
| Flexible | no |
| For nominal pipe diameter | 25 mm |
| Halogen-free | yes |
| With sleeve | no |
| Angle of the bend | 90 ° |