

Technical data sheet

Pipe bend, plastic, halogen-free

Item number: 2047741



Accessory part: 90° bend to EN 61386 (Code: 4421) for halogen-free electrical installation pipes.



PC/
ABS

Polycarbonate/Acrylnitrile-butadiene-styrene

Master data

Item number	2047741
Description 1	Plastic armoured pipe bend
Description 2	halogen-free
Manufacturer	OBO
Dimension	Ø40mm
Colour	Light grey; RAL 7035
Material	Polycarbonate/Acrylnitrile-butadiene-styrene
Smallest sales unit	10
Unit of quantity	Piece
Weight	12.4 kg
Weight unit	kg/100 pc.

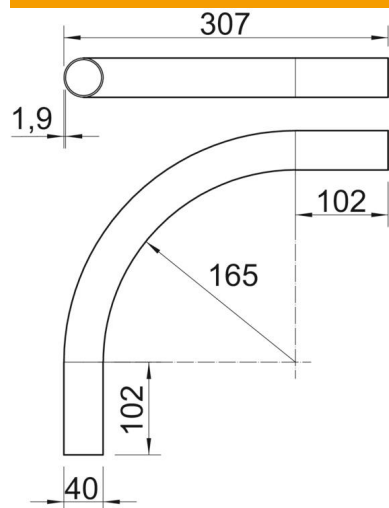
Technical data sheet

Pipe bend, plastic, halogen-free

Item number: 2047741



Dimensions



Length	307 mm
Dimension A	102 mm
Dimension D	40 mm
Dimension L	307 mm
Dimension m (mm)	M40
Dimension R	165 mm
Dimension t	1.9 mm

Technical data

Version for	Connector
Flexible	no
For nominal pipe diameter	40 mm
Halogen-free	yes
With sleeve	no
Angle of the bend	90 °