

# Technical data sheet

## Terminal strip 1.5–6 mm<sup>2</sup>, junction box, T series

Item number: 2016185



Terminals and screws made of steel, galvanised and transparent-chromated, nominal cross-section 1.5 ÷ 6 mm<sup>2</sup>, rated voltage 400 V, five-pole, with socket terminals, max. connectable cross-sections per terminal: 3x6 mm<sup>2</sup>, 4x4 mm<sup>2</sup> or 6x2.5 mm<sup>2</sup>.  
System accessories for B9/TM; T60 junction box



PA Polyamide

### Master data

Item number	2016185
Type	KL-T 02-06
Description 1	Terminal strip
Manufacturer	OBO
Dimension	6mm <sup>2</sup>
Colour	Light grey
Material	Polyamide
Smallest sales unit	10
Unit of quantity	Piece
Weight	4.38 kg
Weight unit	kg/100 pc.

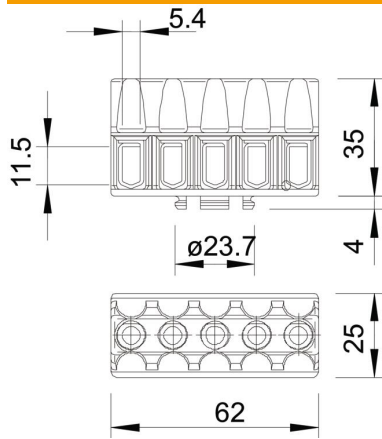
# Technical data sheet

## Terminal strip 1.5–6 mm<sup>2</sup>, junction box, T series

Item number: 2016185



### Dimensions



Length	62 mm
Width	25 mm
Height	35 mm

### Technical data

Closing plate required	no
Connectable conductor cross-section, single-wire, max.	6 mm <sup>2</sup>
Connectable conductor cross-section, single-wire, min.	2.5 mm <sup>2</sup>
Connection position	Side
No. of terminals	5
Number of screwless terminals per pole	1
Version of electrical connection 1	Screw connection
Explosion-tested version	no
Insulation material	Thermoplast
Mounting type	Miscellaneous
Nominal cross-section, max.	6 mm <sup>2</sup>
Nominal cross-section, min.	1.5 mm <sup>2</sup>
Nominal voltage	400 V
Nominal current	41 A
Pole number	5
Cross-section	Max. connectable cross-sections per terminal: 3 x 6 mm <sup>2</sup> , 4 x 4 mm <sup>2</sup> or 6 x 2.5 mm <sup>2</sup> mm <sup>2</sup>
Transparent	no