

Technical data sheet

Combination nut DIN 6923 V2A

Item number: 3156126



Combination nut with pressed washer in accordance with EN 1661.



CE

A2 Stainless steel

2B Bright, treated

Master data

Item number	3156126
Type	KM M12 A2
Description 1	Hexagonal nut with flange
Description 2	with underhead tothing
Manufacturer	OBO
Dimension	M12
Material	Stainless steel
Surface	Bright, treated
Surface standard	
Smallest sales unit	50
Unit of quantity	Piece
Weight	2.1 kg
Weight unit	kg/100 pc.

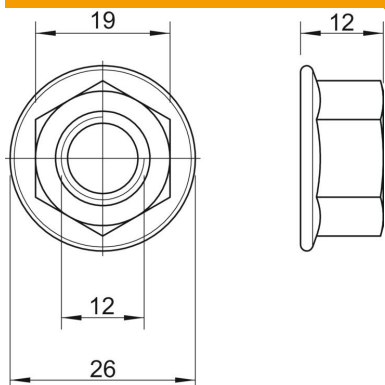
Technical data sheet

Combination nut DIN 6923 V2A

Item number: 3156126



Dimensions



Dimension d	26 mm
Dimension h	12 mm

Technical data

Thread	M12
Thread metric	12
Thread type	Metric
Halogen-free	yes
With flange	yes
WAF	18
Self-locking	no
Left thread	no
Thread, imperial	1/2"
Nut version	Nut
Screw system nut	Hexagon head