

# Technical data sheet

## Cover for add-on tee FT

Item number: 6226330



Cover with turn buckles for covering add-on tee with welded rungs.



CE

**St** Steel

**FT** Hot-dip galvanised

### Master data

Item number	6226330
Type	LAAD 200 R3 FT
Description 1	Cover for add-on tee
Description 2	with turn buckle
Manufacturer	OBO
Dimension	B200
Material	Steel
Surface	Hot-dip galvanised
Surface standard	DIN EN ISO 1461
Smallest sales unit	1
Unit of quantity	Piece
Weight	180 kg
Weight unit	kg/100 pc.

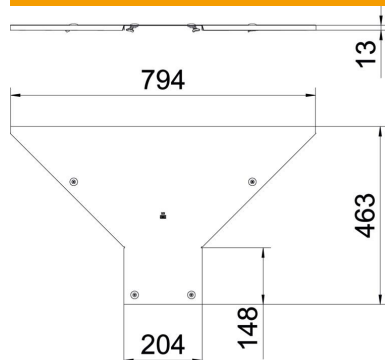
# Technical data sheet

## Cover for add-on tee FT

Item number: 6226330



### Dimensions



Width	200 mm
Plate thickness	1 mm
Dimension B	200 mm

### Technical data

Fastening type	Sash lock
Suitable for cable ladder	yes
Suitable for cable tray	no
Material thickness	1 mm
Rustproof steel, pickled	no
Wide-span version	no