

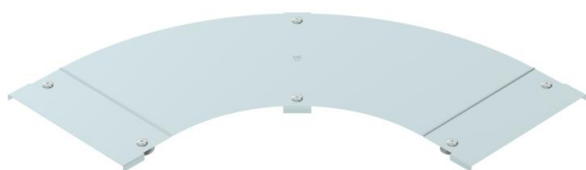
Technical data sheet

Cover for 90° bend FS

Item number: 6225992



Cover with turn buckles for covering 90° cable ladder bends with welded rungs.



CE

St Steel

FS Strip galvanized

Master data

Item number	6225992
Type	LBD 90 300 R3 FS
Description 1	90° bend cover
Description 2	with turn buckle
Manufacturer	OBO
Dimension	B300
Material	Steel
Surface	Strip galvanized
Surface standard	DIN EN 10346
Smallest sales unit	1
Unit of quantity	Piece
Weight	232 kg
Weight unit	kg/100 pc.

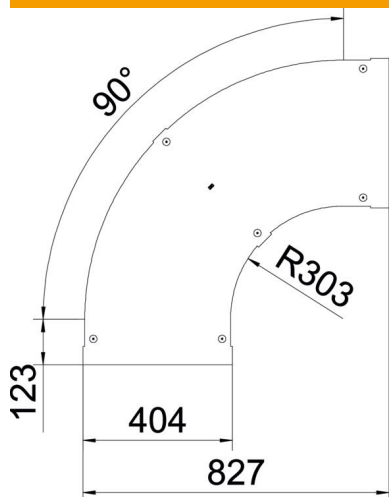
Technical data sheet

Cover for 90° bend FS

Item number: 6225992



Dimensions



Width	300 mm
Plate thickness	1 mm
Dimension B	300 mm

Technical data

Bend (angle)	90°
Fastening type	Sash lock
Maintain electrical functions	no
Suitable for mesh cable tray	no
Suitable for cable ladder	yes
Suitable for cable tray	no
Change of direction	Horizontal
Rustproof steel, pickled	no
Hinged	no