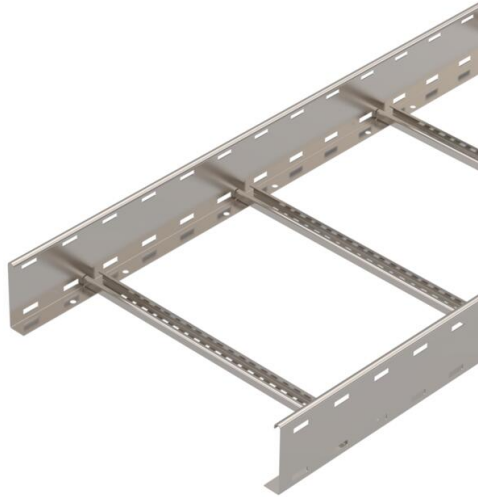


Technical data sheet

Cable ladder LG 110, 6 m VS A2

Item number: 6216497



Cable ladder with perforated side rail of side height 110 mm with riveted C profile rungs, open in an upwards direction. The cable ladder is shipped folded up.

You can find the appropriate U clamp of type 2056 in the vertical ladder systems chapter. Magnetic shield insulation without cover 10 dB, with cover 15 dB.



A2 Stainless steel

2B Bright, treated

Master data

Item number	6216497
Type	LG 115 VS6 A2
Description 1	Cable ladder
Description 2	perforated, with VS rung
Manufacturer	OBO
Dimension	110x500x6000
Material	Stainless steel
Surface	Bright, treated
Surface standard	
Smallest sales unit	6
Unit of quantity	Metre
Weight	444.5 kg
Weight unit	kg/100 m

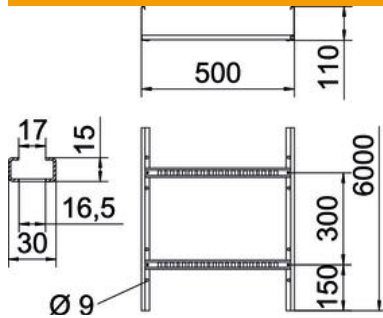
Technical data sheet

Cable ladder LG 110, 6 m VS A2



Item number: 6216497

Dimensions



Dimension	110x500
Length	6,000 mm
Length	6,000 ft
Width	500 mm
Height	110 mm
Dimension B	500 mm
Rung slot dimension	16.50

Technical data

Usable cross-section	475 cm ²
Usable cross-section	47500 mm ²
Rung distance	300 mm
Rail thickness	1.5 mm

Loads

Support spacing 2.0 m	3.1 kN/m
Support spacing 2.5 m	2 kN/m
Support spacing 3.0 m	1.3 kN/m
Support spacing 3.5 m	0.9 kN/m
Support spacing 4.0 m	0.6 kN/m
Support spacing 4.5 m	0.5 kN/m
Support spacing 5.0 m	0.45 kN/m