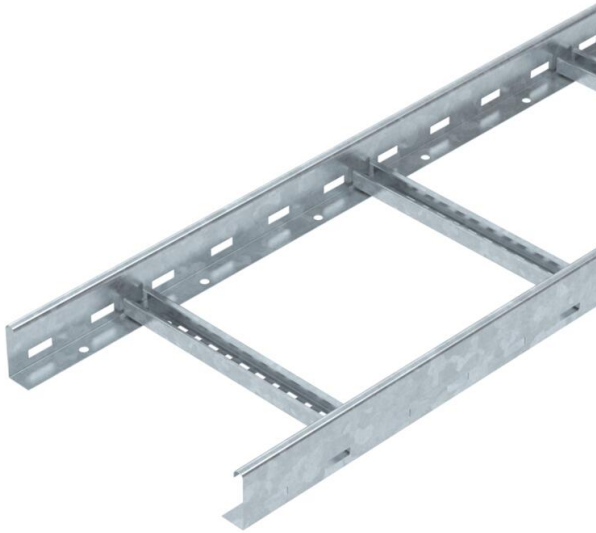


Technical data sheet

LLIS 630 cable ladder, 3 m FT

Item number: 6209572



Cable ladder with 60 mm side height with welded C profile rungs which are open in an upwards direction. Rolled side rail for reinforcement and as edge protection. Fastening to the bracket is done using hold-down clamps, type LKS 40. The slot dimension of the rung is 17 mm and the appropriate clamp clip is type 2056U.
Magnetic shield insulation without cover 10 dB, with cover 15 dB.



St Steel

FT Hot-dip galvanised

Master data

Item number	6209572
Type	LLIS 630 3 FT
Description 1	Cable ladder
Description 2	perforated rung, welded
Manufacturer	OBO
Dimension	60x300x3000
Material	Steel
Surface	Hot-dip galvanised
Surface standard	DIN EN ISO 1461
Smallest sales unit	3
Unit of quantity	Metre
Weight	206.8 kg
Weight unit	kg/100 m

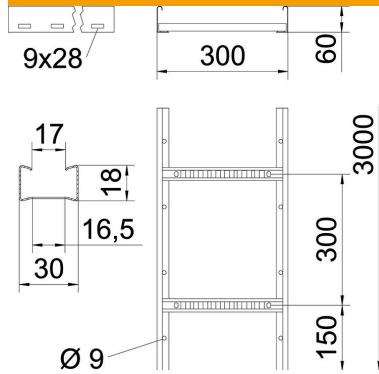
Technical data sheet

LLIS 630 cable ladder, 3 m FT

Item number: 6209572



Dimensions



Length	3,000 mm
Length	3,000 ft
Width	300 mm
Height	60 mm

Technical data

Version of the rungs	Profile perforated
Side rail version	Flat profile
Fastening of rung	Welded
Maintain electrical functions	no
Usable cross-section	120 cm ²
Usable cross-section	12000 mm ²
Rustproof steel, pickled	no
Side perforation	yes
Rung distance	300 mm
Wide-span version	no
Rail thickness	1 mm

Loads

Support spacing 1.0 m	2.6 kN/m
Support spacing 2.0 m	1.2 kN/m
Support spacing 3.0 m	0.5 kN/m