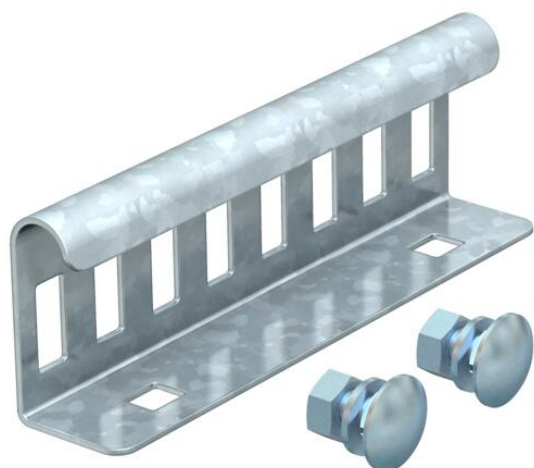


Technical data sheet

Straight connector FS

Item number: 6200832



Straight connector as external connector to connect cable ladders and fittings with a side height of 45 mm and continuous side perforation. The bolt fastening ensures the continuity of the equipotential bonding.



St Steel

FS Strip galvanized

Master data

Item number	6200832
Description 1	Straight connector
Description 2	for cable ladder
Manufacturer	OBO
Dimension	49x150
Material	Steel
Surface	Strip galvanized
Surface standard	DIN EN 10346
Smallest sales unit	10
Unit of quantity	Piece
Weight	19 kg
Weight unit	kg/100 pc.

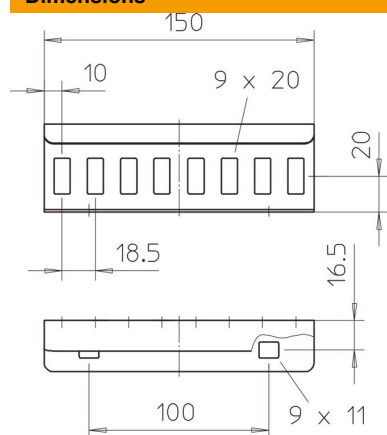
Technical data sheet

Straight connector FS

Item number: 6200832



Dimensions



Dimension	49x150
Length	150 mm
Height	49 mm
Plate thickness	1.5 mm

Technical data

Version for	Straight connector
Maintain electrical functions	no
Suitable for mesh cable tray	no
Suitable for cable ladder	yes
Suitable for cable tray	no
Suitable for cable tray system height	45 mm
Adjustable connector, horizontal	no
Articulated connector, vertical	no
Rustproof steel, pickled	no
Connection type	Screw connector