

Technical data sheet

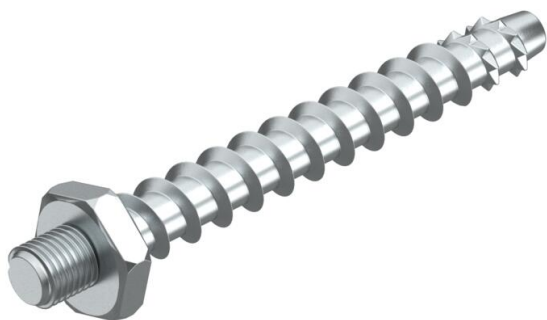
MMS-plus ST 6x55 push-in tie, with connection thread

Item number: 3498264



Bolt tie for direct mounting without additional anchors in cracked and uncracked concrete and masonry. M6 connection thread for fastening clips with threaded foot.

Construction product tested according to EAD and CE mark, with European Technical Assessment (ETA) and proof of suitability. Load-bearing capacities under fire loads proven up to fire resistance class R120.



St Steel

G Electrogalvanized

Master data

Item number	3498264
Type	MMS+ ST 6x55
Description 1	Screw anchor
Description 2	with connection thread
Manufacturer	OBO
Dimension	6x55mm
Material	Steel
Surface	Electrogalvanized
Surface standard	EN ISO 19598 / EN ISO 4042
Smallest sales unit	100
Unit of quantity	Piece
Weight	1.03 kg
Weight unit	kg/100 pc.

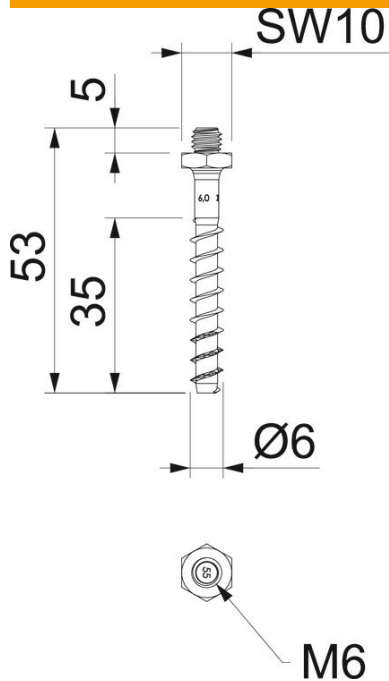
Technical data sheet

MMS-plus ST 6x55 push-in tie, with connection thread

Item number: 3498264



Dimensions



Dimension	6x55
Length	55 mm
Dimension L	55 mm

Technical data

Drill hole diameter, min.	5 mm
WAF	10