

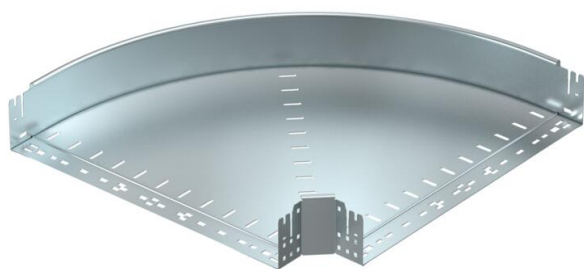
# Technical data sheet

90° Magic bend 110 FS

Item number: 6041850



90° bend with quick connector system. For all cable tray types of 110 mm side height.



**St** Steel

**FS** Strip galvanized

## Master data

Item number	6041850
Description 1	90° bend
Description 2	with quick connector
Manufacturer	OBO
Dimension	110x600
Material	Steel
Surface	Strip galvanized
Surface standard	DIN EN 10346
Smallest sales unit	1
Unit of quantity	Piece
Weight	558 kg
Weight unit	kg/100 pc.

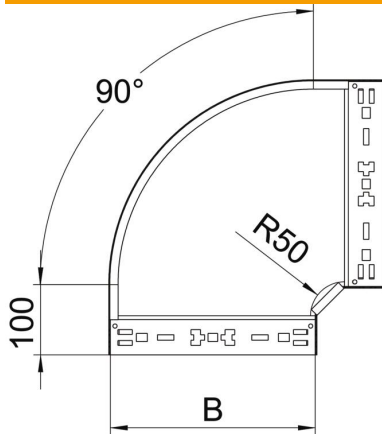
# Technical data sheet

90° Magic bend 110 FS

Item number: 6041850



## Dimensions



Width	600 mm
Height	110 mm
Plate thickness	1.25 mm
Dimension B	600 mm

## Technical data

Bend (angle)	90°
Connector version	Integrated connector
Maintain electrical functions	no
Mounting perforation in base	no
NATO hole pattern	no
Change of direction	Horizontal
Rustproof steel, pickled	no
Side perforation	no
Wide-span version	no
Type of connector, cable support system	Click fastening