

# Technical data sheet

Height-adjustable heavy-duty cassette for tube body  
RKFNSL, nominal size 4, stainless steel  
Item number: 7409382



Heavy-duty square cassette for tube body of nominal size 4 for the installation of accessories in trunking systems, raised or cavity floors, in dry or wet-cleaned floors for indoor use. Load class 1 to 10 kN.

Height-adjustable heavy-duty cassette with tube body with a load bearing capacity of 1-10 kN, 2-compartment. 2 APMT2 cover plates can be installed. For the installation of two UT3 universal supports for four single accessories with support ring/support clamp or six Modul 45 devices. The tube body is not contained in the scope of delivery.



A2 Stainless steel

## Master data

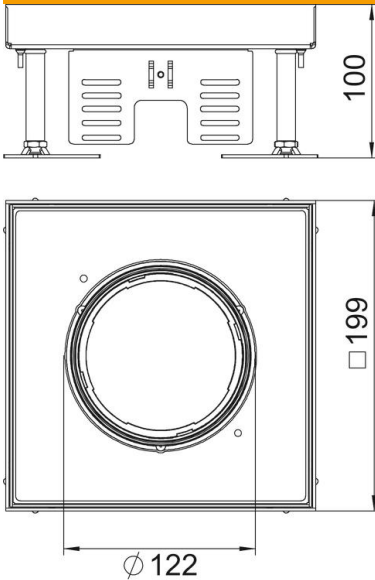
Item number	7409382
Description 1	Square cassette SL
Description 2	for tube
Manufacturer	OBO
Dimension	200x200mm
Material	Stainless steel
Smallest sales unit	1
Unit of quantity	Piece
Weight	355.5 kg
Weight unit	kg/100 pc.

# Technical data sheet

Height-adjustable heavy-duty cassette for tube body  
 RKFNSL, nominal size 4, stainless steel  
 Item number: 7409382



## Dimensions



Length	199 mm
Width	199 mm
Dimension h	100 mm

## Technical data

Number of installable devices	6
Number of mounting boxes	2
Number of cable outlets	1
Version for	Square
Cable outlet version	Lowerable tube body
Floor care	Wet
Decouplable	no
Floor height, max.	150 mm
Floor height, min.	100 mm
Suitable for raised floor installation	yes
Suitable for cavity floor installation	yes
Suitable for underfloor box	250/350
Device support to accept mounting boxes	yes
Length of installation dimensions	201 mm
Nominal size for device installation units	4
Height-adjustment range, max.	150 mm
Height-adjustment range, min.	100 mm
Protection rating (IP) when used	IP20
Protection rating (IP) when unused	IP40
Protection rating IK code	IK10
Heavy-duty version	yes
Heavy load class	10 kN (OBO SL1)
Installation system type	UT3
Floor covering thickness	15 mm