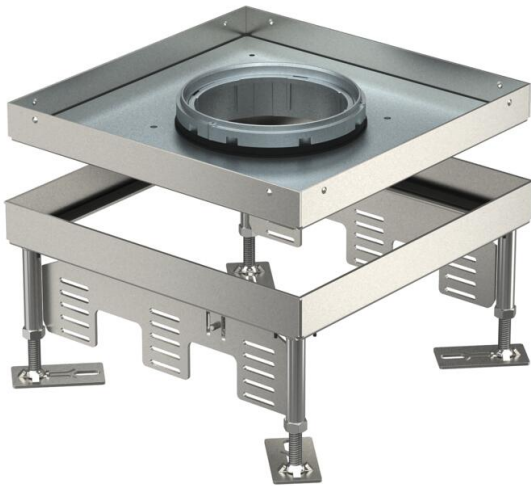


# Technical data sheet

Height-adjustable heavy-duty cassette for tube body  
RKFNSL, nominal size 9, stainless steel  
Item number: 7409390



Heavy-duty square cassette for tube body of nominal size 9 for the installation of accessories in trunking systems, raised or cavity floors, in dry or wet-cleaned floors for indoor use. Load class 1 to 10 kN.

Height-adjustable heavy-duty cassette with tube body with a load bearing capacity of 1-10 kN, 3-compartment. 3 APMT5 cover plates can be installed. For the installation of three UT4 universal supports for nine single accessories with support ring/support clamp or 12 Modul 45 devices. The tube body is not contained in the scope of delivery.



A2 Stainless steel

## Master data

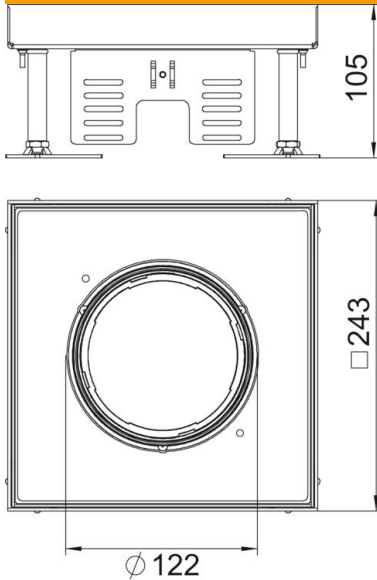
Item number	7409390
Description 1	Square cassette SL
Description 2	for tube
Manufacturer	OBO
Dimension	243x243x100
Material	Stainless steel
Smallest sales unit	1
Unit of quantity	Piece
Weight	514 kg
Weight unit	kg/100 pc.

# Technical data sheet

Height-adjustable heavy-duty cassette for tube body  
RKFNSL, nominal size 9, stainless steel  
Item number: 7409390



## Dimensions



Length	243 mm
Width	243 mm
Dimension h	105 mm

## Technical data

Number of installable devices	12
Number of mounting boxes	3
Number of cable outlets	1
Version for	Square
Cable outlet version	Lowerable tube body
Floor care	Wet
Decouplable	no
Floor height, max.	155 mm
Floor height, min.	105 mm
Suitable for raised floor installation	yes
Suitable for cavity floor installation	yes
Suitable for underfloor box	350
Device support to accept mounting boxes	yes
Length of installation dimensions	244 mm
Nominal size for device installation units	9
Height-adjustment range, max.	155 mm
Height-adjustment range, min.	105 mm
Protection rating (IP) when used	IP20
Protection rating (IP) when unused	IP40
Protection rating IK code	IK10
Heavy-duty version	yes
Heavy load class	10 kN (OBO SL1)
Installation system type	UT4
Floor covering thickness	21 mm