

# Technical data sheet

## External corner SL AE20110



Item number: 6132275



External corner as a fitting for changing the direction of the skirting trunking.

External corner for snapping on to the base to conceal cuts.



**PVC** Polyvinylchloride

### Master data

Item number	6132275
Type	SL AE20110 rws
Description 1	External corner
Description 2	SL 20x110 9010
Manufacturer	OBO
Colour	Pure white; RAL 9010
Material	Polyvinylchloride
Smallest sales unit	10
Unit of quantity	Piece
Weight	2.22 kg
Weight unit	kg/100 pc.

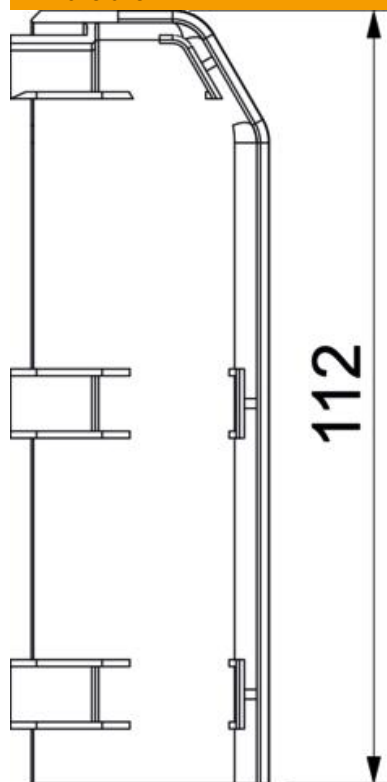
# Technical data sheet

External corner SL AE20110

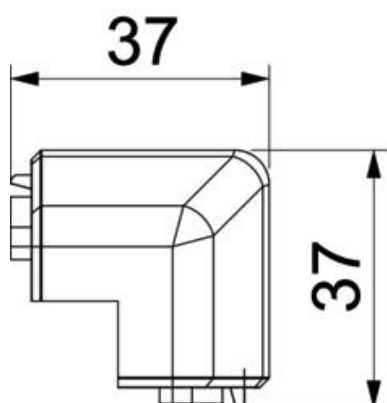
Item number: 6132275



## Dimensions



Length	37 mm
Height	112 mm



# Technical data sheet

## External corner SL AE20110

Item number: 6132275



### Technical data

Version for	Hood fitting
Decoration	Without
Cover sealing lip	Without
Halogen-free	no
With carpet strip	no
Protection rating	IP40
Protection rating IK code	IK06
Permitted temperature range, max.	60 °C
Permitted temperature range, min.	-5 °C
Angle range, min.	90 mm