

Technical data sheet

Device support SL GTO 50-70

Item number: 6132224



Empty device support for the SL, SL-L and SL-T skirting trunking systems for the installation of devices in support clamp form (according to DIN 49075) in the trunking widths 50 and 70 mm.

For snapping onto the cover of the trunking system.



PVC Polyvinylchloride

Master data

Item number	6132224
Type	SL GTO 50-70 cws
Description 1	Mounting box
Description 2	SL 20x50/70 9001
Manufacturer	OBO
Colour	Cream; RAL 9001
Material	Polyvinylchloride
Smallest sales unit	1
Unit of quantity	Piece
Weight	13.3 kg
Weight unit	kg/100 pc.

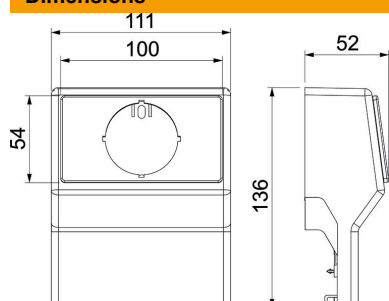
Technical data sheet

Device support SL GTO 50-70

Item number: 6132224



Dimensions



Length	52 mm
Width	111 mm
Height	136 mm

Technical data

Number of units	0
Equipment	Without
Decoration	Without
Halogen-free	no
Accessory mounting type	With central plate
Protection rating	IP40
Protection rating IK code	IK06
Permitted temperature range, max.	60 °C
Permitted temperature range, min.	-5 °C