

Technical data sheet

Device support SL GTler20110

Item number: 6132236



Empty device support for skirting trunking for the installation of devices in support clamp form (according to DIN 49075) in trunking width 110 mm. For snapping onto the cover of the trunking system.



PVC Polyvinylchloride

Master data

Item number	6132236
Type	SL GTler20110rws
Description 1	Mounting box
Description 2	SL empty 20x110 9010
Manufacturer	OBO
Colour	Pure white; RAL 9010
Material	Polyvinylchloride
Smallest sales unit	1
Unit of quantity	Piece
Weight	14.6 kg
Weight unit	kg/100 pc.

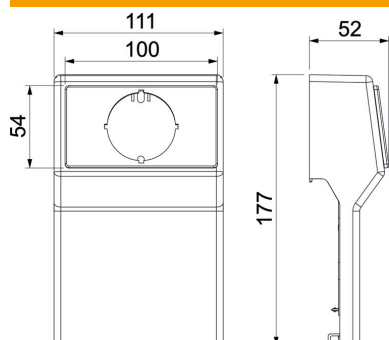
Technical data sheet

Device support SL GTler20110

Item number: 6132236



Dimensions



Length	52 mm
Width	111 mm
Height	177 mm

Technical data

Number of units	0
Equipment	Without
Decoration	Miscellaneous
Halogen-free	no
Accessory mounting type	With central plate
Protection rating	IP40
Protection rating IK code	IK06
Permitted temperature range, max.	60 °C
Permitted temperature range, min.	-5 °C