

Technical data sheet

Serrated washer DIN 6798 A2

Item number: 3404331



Serrated washer to DIN 6798, shape A.



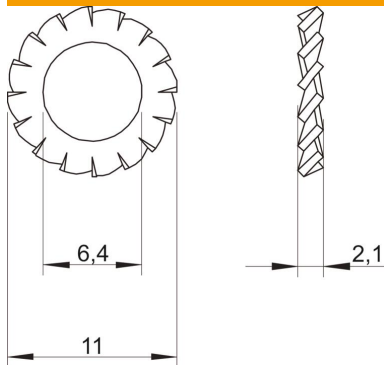
A2 Stainless steel

2B Bright, treated

Master data

Item number	3404331
Type	SWS M6 A2
Description 1	Serrated washer
Manufacturer	OBO
Dimension	M6
Material	Stainless steel
Surface	Bright, treated
Surface standard	
Smallest sales unit	100
Unit of quantity	Piece
Weight	0.04 kg
Weight unit	kg/100 pc.

Dimensions



Height	2.1 mm
Plate thickness	0.08 in
Dimension D	0.43 in
Dimension d	0.25 in
Dimension d	6.4 mm
Dimension d min.	11 mm
Dimension h	2.1 mm

Technical data

Thread	M6
Inner diameter	0.25 mm
Lock washer version	Open external gearing