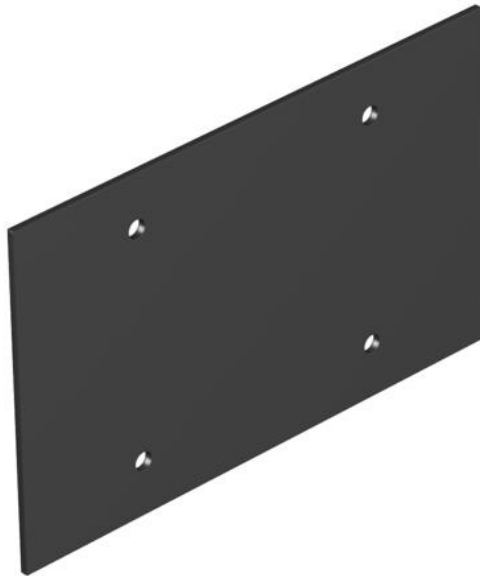


Technical data sheet

Cover plate, Telitank T12L, blank, for lengthwise side

Item number: 7408116



Cover plate "blank", suitable for lengthwise side of T12L (1/2 cover).



PVC Polyvinylchloride

Master data

Item number	7408116
Type	T12L P02S 9011
Description 1	Cover plate
Description 2	blank for T12L
Manufacturer	OBO
Dimension	142x88mm
Colour	Graphite black; RAL 9011
Material	Polyvinylchloride
Smallest sales unit	1
Unit of quantity	Piece
Weight	3.22 kg
Weight unit	kg/100 pc.

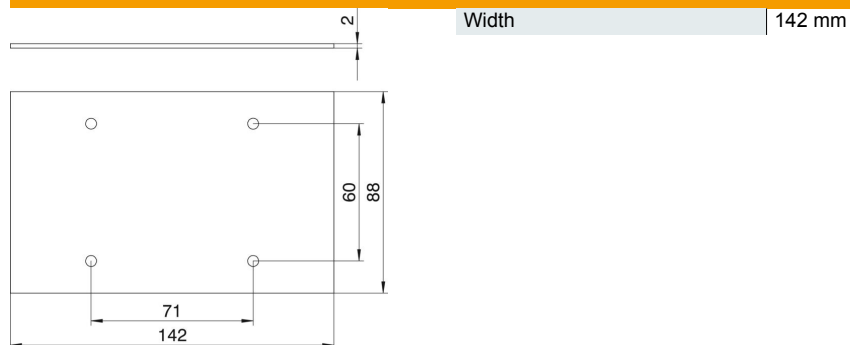
Technical data sheet

Cover plate, Telitank T12L, blank, for lengthwise side

Item number: 7408116



Dimensions



Technical data

Application	On-floor tank
Number of CEE/Perilex openings	0
Number of triple openings	0
Number of single openings	0
Number of oval openings	0
Number of square openings	0
Number of round openings	0
Number of double openings	0
Fastening type	Screw-on
Labelling panel	no
Blanking lid	yes
Suitable for labelling panel	no
Installation technology	Miscellaneous