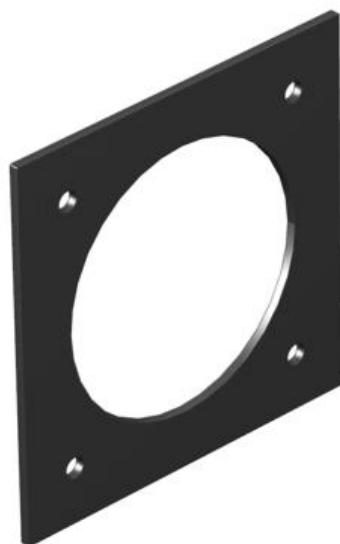


Technical data sheet

Cover plate, Telitank T4L/T8NL, installation opening for CEE device with 60 mm fastening track

Item number: 7408482



Cover plate with 1 perforation (Ø 70 mm) and 60 x 60 mm screw fastening for CEE sockets, suitable for T4L and T8NL narrow side or for T4L and T8NL lengthwise side (1/2 cover).



PA Polyamide

Master data

Item number	7408482
Type	T8NL PCEE 9011
Description 1	Cover plate
Description 2	CEE for T4L/T8NL
Manufacturer	OBO
Colour	Graphite black; RAL 9011
Material	Polyamide
Smallest sales unit	1
Unit of quantity	Piece
Weight	1.8 kg
Weight unit	kg/100 pc.

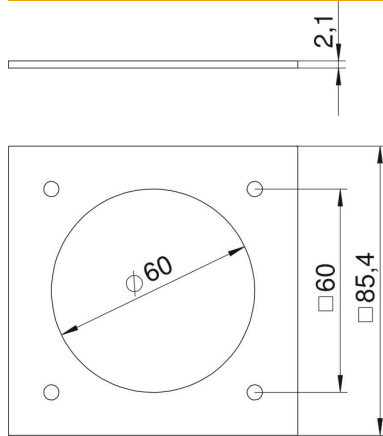
Technical data sheet

Cover plate, Telitank T4L/T8NL, installation opening for CEE device with 60 mm fastening track

Item number: 7408482



Dimensions



Width 85 mm

Technical data

Application	On-floor tank
Number of CEE/Perilex openings	1
Number of triple openings	0
Number of single openings	1
Number of oval openings	0
Number of square openings	0
Number of round openings	1
Number of double openings	0
Fastening type	Screw-on
Labelling panel	no
Blanking lid	no
Suitable for labelling panel	no
Installation technology	CEE 60x60 mm