

Technical data sheet

Cable gland, metric thread, black

Item number: 2022889



Cable gland with metric connection thread in cap nut design, suitable for junction boxes, housings, distributor boxes in private and industrial areas. With strain relief and integrated sealing lip, tested according to DIN EN 62444. Protection class IP68. Can be used between -20°C and $+65^{\circ}\text{C}$.



PA Polyamide

Master data

| | |
|---------------------|---------------|
| Item number | 2022889 |
| Type | V-TEC VM25 SW |
| Description 1 | Cable gland |
| Description 2 | fully metric |
| Manufacturer | OBO |
| Dimension | M25 |
| Colour | Black |
| Material | Polyamide |
| Smallest sales unit | 25 |
| Unit of quantity | Piece |
| Weight | 1.36 kg |
| Weight unit | kg/100 pc. |

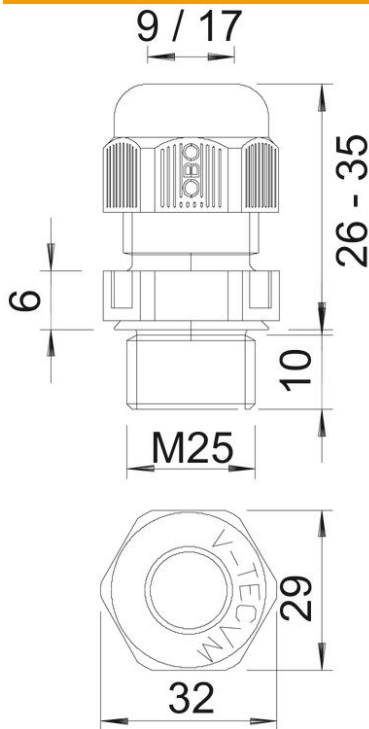
Technical data sheet

Cable gland, metric thread, black

Item number: 2022889



Dimensions



| | |
|------------------|-------|
| Dimension E | 32 mm |
| Dimension L max. | 35 mm |
| Dimension L min. | 26 mm |
| Dimension L1 | 10 mm |
| Dimension L2 | 6 mm |

Technical data

| | |
|--------------------------|---|
| Type of seal | Sealing ring |
| Version for | Straight |
| Bend protection | no |
| Sealing area D, max. | 17 mm |
| Sealing area D, min. | 9 mm |
| explosion-proof | no |
| Flat cable gland | no |
| Flame-resistant | acc. to VDE 0471/DIN 695 Part 2-1, test temperature 650°C |
| For Ex zone | Without |
| For Ex zone gas | Without |
| For Ex zone dust | Without |
| Thread | M25 x 1,5 |
| Thread type | Metric |
| Thread length | 10 mm |
| Nominal thread size | 25 |
| Thread increase | 1.5 mm |
| Fibre-glass reinforced | no |
| Halogen-free | yes |
| Unstable torque | 5 Nm |
| Impact category | 3 |
| Strain relief category | A |
| Sealing insert, multiple | no |

Technical data sheet

Cable gland, metric thread, black

Item number: 2022889



Technical data

| | |
|-----------------------------------|--------|
| With locknut | no |
| Impact-resistant | no |
| WAF | 29 |
| Protection rating | IP68 |
| Hexagonal corner dimension | 32 mm |
| Splittable gland | no |
| Permitted temperature range, max. | 65 °C |
| Permitted temperature range, min. | -20 °C |
| Strain relief option | yes |