

Technical data sheet

Surge arrester V10 Compact



Item number: 5093381



Surge protective device, compact module, type 2+3

- Surge protection in main and sub-distributions according to IEC 60364-4-44
- Arresting capacity up to 60 kA (8/20) in total
- Integrated 3+1 solution for TN and TT network systems on 45 mm module width
- High-performance varistor technology
- Including thermic and dynamic cut-off unit and visual status display

Application: Main and sub-distribution as well as device protection in three-phase current systems.



Master data

Item number	5093381
Type	V10 Compact2.0
Description 1	Surge arrester
Description 2	V10 Compact 2.0
Manufacturer	OBO
Dimension	255V
Smallest sales unit	1
Unit of quantity	Piece
Weight	15.8 kg
Weight unit	kg/100 pc.

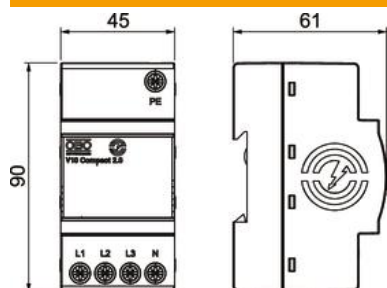
Technical data sheet

Surge arrester V10 Compact



Item number: 5093381

Dimensions



Length	60.5 mm
Width	45 mm
Height	90 mm

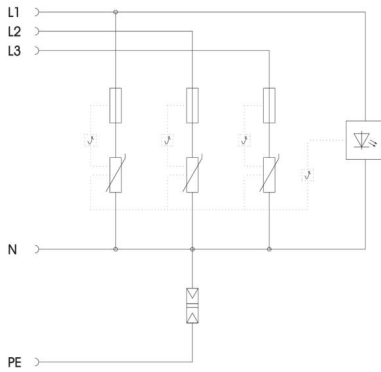
Technical data sheet

Surge arrester V10 Compact



Item number: 5093381

Technical data



Arrester surge current (8/20 μ s) [total]	60 kA
Connection cross-section (min.)	2.5 mm ²
Response time	<25 ns
Version for	3+NPE
Pole version	3+N/PE
Structural width in division units (division unit, 17.5 mm)	Miscellaneous
Operating temperature, max.	70 °C
Operating temperature, min.	-40 °C
Torque	18 Lbs
Torque	2 Nm
Installation location	Interior
Follow current quenching capacity (eff) [N-PE]	0.1 kA
Follow current quenching capacity left	7
Function/defect display	Visual
Maximum continuous voltage AC	255
Integrated back-up fuse	no
Conductor cross-section, flexible (fine-wire), max.	10 mm ²
Conductor cross-section, flexible (fine-wire), max.	8 AWG
Conductor cross-section, flexible (fine-wire), min.	13 AWG
Conductor cross-section, flexible (fine-wire), min.	2.5 mm ²
Conductor cross-section, rigid (single-wire/multiwire), max.	8 AWG
Conductor cross-section, rigid (single-wire/multiwire), max.	10 mm ²
Conductor cross-section, rigid (single-wire/multiwire), min.	13 AWG
Conductor cross-section, rigid (single-wire/multiwire), min.	2.5 mm ²
Lightning protection zone LPZ	1→3
Humidity, max.	95 %
Humidity, min.	5 %
Max. mains-side overcurrent protection	63 A gG
Maximum back-up fuse	63 A
Maximum discharge current (8/20 μ s)	20 kA
Maximum discharge current (8/20 μ s) [L-N]	20 kA
Maximum discharge current (8/20 μ s) [N-PE]	60 kA
Minimum distance	0 mm
Installation type	DIN rail 35 mm
Nominal discharge current (8/20 μ s)	10 kA
Nominal discharge current (8/20 μ s) [L-N]	10 kA
Nominal discharge current (8/20 μ s) [N-PE]	40 kA
Nominal frequency	50 Hz
Nominal voltage AC (50/60 Hz)	230 V
Network form	All
TN network form	yes
TN-C-S network form	yes
TN-S network form	yes
TT network form	yes
Pole number	4
Ports	One-Port SPD
Test class, type 2	yes
Test class, type 3	yes
Protection rating	IP20
Protective conductor current	<_5 μ A
Protection level [L-N]	\leq 1,1
Protection level [N-PE]	1.5 kV
Signalling on device	Visual

Technical data sheet

Surge arrester V10 Compact

Item number: 5093381

