

Technical data sheet

MCR protection for 2-pole for power supply with remote signalling, 12 V AC/DC

Item number: 5097454



Surge protection/fine power protection, type 3, to EN 61643-11 with remote signalling

- With remote signalling, potential-free changeover contact, for function monitoring
- Suitable for DC and AC systems
- With visual function display
- With easy mounting, screwless connection terminals
- In space-saving 17.5 mm grid
- Y circuit

Application: Universal use on 35 mm DIN profile rails in any standard distributor housing.



Master data

Item number	5097454
Type	VF12-AC/DC-FS
Description 1	Lightning barrier
Description 2	with remote signalling
Manufacturer	OBO
Dimension	12V
Smallest sales unit	1
Unit of quantity	Piece
Weight	6.4 kg
Weight unit	kg/100 pc.

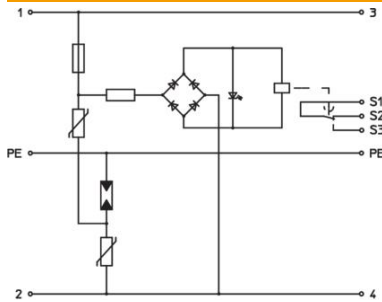
Technical data sheet

MCR protection for 2-pole for power supply with remote signalling, 12 V AC/DC

Item number: 5097454



Technical data



Response time	<25 ns
Blow-out	no
Pole version	2
Structural width in division units (division unit, 17.5 mm)	1
Operating temperature, max.	80 °C
Operating temperature, min.	-40 °C
Remote signalling	yes
FM contacts	Changeover
Maximum continuous voltage AC	13.5
Maximum continuous voltage DC	18
Conductor cross-section, rigid (single-wire/multiwire), max.	2.5 mm ²
Conductor cross-section, rigid (single-wire/multiwire), min.	0.14 mm ²
Lightning protection zone LPZ	2→3
Max. mains-side overcurrent protection	20
Maximum back-up fuse	20 A
Maximum discharge current (8/20 µs)	2 kA
Installation type	DIN rail 35 mm
Nominal discharge current (8/20 µs)	0.7 kA
Nominal voltage AC (50/60 Hz)	12 V
Network form	Other
OBO_Nominal load current (input/output terminal)	20 A
Pole number	3
Test class, type 3	yes
Protection rating	IP20
Protection level	≤0,11
Protection level [L-N]	0,11
Protection level wire-wire	<110 V
Protection level wire-earth	<1200 V
Signalling on device	Visual
SPD to EN 61643-11	Type 3
SPD to IEC 61643-1	Class III