

# Technical data sheet

## Wall holder for GRM 35x50 A4 mesh cable tray

Item number: 6016445



Wall holder for fastening of mesh cable trays GRM 35 50.



**A4** Stainless steel

**2B** Bright, treated

### Master data

Item number	6016445
Type	WH GRM35 A4
Description 1	Wall holder
Description 2	for GRM 35 50
Manufacturer	OBO
Dimension	35x50
Material	Stainless steel
Surface	Bright, treated
Surface standard	
Smallest sales unit	10
Unit of quantity	Piece
Weight	1.95 kg
Weight unit	kg/100 pc.

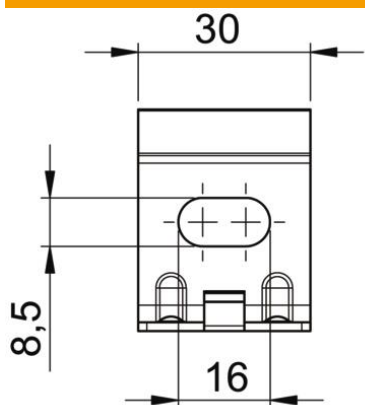
# Technical data sheet

Wall holder for GRM 35x50 A4 mesh cable tray

Item number: 6016445



## Dimensions



Width	50 mm
Width	1.97 in
Height	35 mm

