

# Technical data sheet

## Wide span cable ladder WKLG 160 A4

Item number: 6227178



Wide span cable ladder with perforated side rail of side height of 160 mm. Fastening of cables with clamp clip, type 2056.  
Straight connectors of type WRV 160 should be ordered separately and in the appropriate quantity.  
Magnetic shield insulation without cover 10 dB, with cover 15 dB.



**A4** Stainless steel

**2B** Bright, treated

### Master data

Item number	6227178
Type	WKLG 1660 A4
Description 1	Wide span cable ladder
Description 2	perforated side rail
Manufacturer	OBO
Dimension	160x600x6000
Material	Stainless steel
Surface	Bright, treated
Surface standard	
Smallest sales unit	6
Unit of quantity	Metre
Weight	859.334 kg
Weight unit	kg/100 m

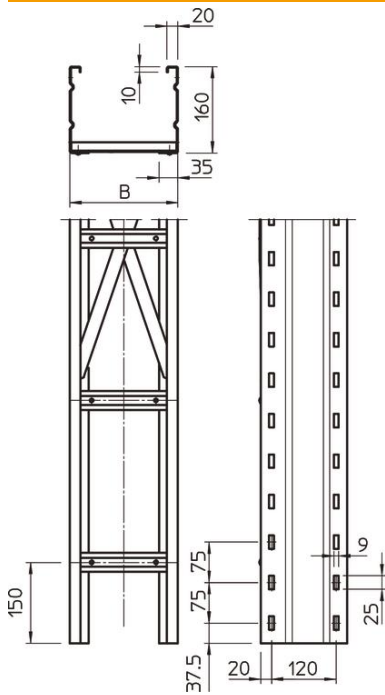
# Technical data sheet

## Wide span cable ladder WKLG 160 A4

Item number: 6227178



### Dimensions



Length	6,000 mm
Length	6,000 ft
Width	600 mm
Height	160 mm
Dimension B	600 mm
Dimension L	6,000 mm
Rung slot dimension	16.50

### Technical data

Version of the rungs	Profile unperforated
Side rail version	Profile (open)
Maintain electrical functions	no
Usable cross-section	857 cm <sup>2</sup>
Usable cross-section	85700 mm <sup>2</sup>
Rustproof steel, pickled	no
Side perforation	yes
Wide-span version	yes
Rail thickness	2 mm

# Technical data sheet

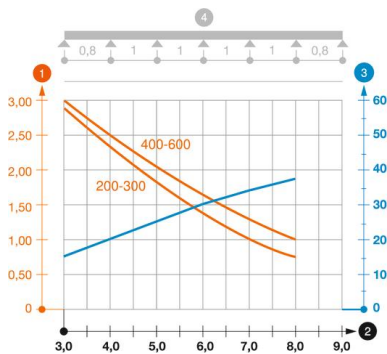
## Wide span cable ladder WKLG 160 A4

Item number: 6227178



### Loads

Support spacing 3.0 m	3 kN/m
Support spacing 3.5 m	2.73 kN/m
Support spacing 4.0 m	2.5 kN/m
Support spacing 4.5 m	2.24 kN/m
Support spacing 5.0 m	2 kN/m
Support spacing 6.0 m	1.6 kN/m
Support spacing 7.0 m	1.3 kN/m
Support spacing 8.0 m	1 kN/m



Load diagram, wide span cable ladder, type WKLG 160

- 1 Permitted cable tray/ladder load in kN/m without man load
- 2 Support width in m
- 3 Rail bend in mm at permitted kN/m
- 4 Load scheme during testing
- Load curve with cable tray/ladder width in mm
- Strut bend curve according to support width