

# Technical data sheet

## Large washer, A2

Item number: 3403175



Washer of particularly large outer diameter. In the case of connections on the MS 41 mounting rail, we recommend the external diameter of 40 mm.



**A2** Stainless steel

**2B** Bright, treated

### Master data

Item number	3403175
Type	WS M10 D40 A2
Description 1	Fender plate
Manufacturer	OBO
Dimension	M10,Ø40mm
Material	Stainless steel
Surface	Bright, treated
Surface standard	
Smallest sales unit	100
Unit of quantity	Piece
Weight	0.592 kg
Weight unit	kg/100 pc.

### Dimensions

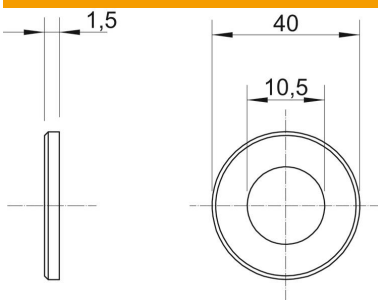


Plate thickness	0.06 in
Dimension D	1.58 in
Dimension d	0.41 in
Dimension d	10.5 mm
Dimension d max.	40 mm
Dimension d min.	40 mm
Dimension h	1.5 mm

### Technical data

Thread	M10
Halogen-free	no
Material thickness	1.5 mm

# Technical data sheet

Large washer, A2

Item number: 3403175

