

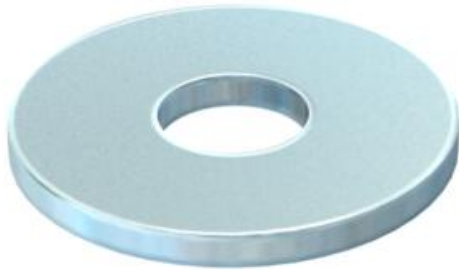
# Technical data sheet

## Large washer G

Item number: 3403025



Washer of particularly large outer diameter.



**St** Steel

**G** Electrogalvanized

### Master data

Item number	3403025
Type	WS M4 G15 G
Description 1	Fender plate
Manufacturer	OBO
Dimension	M4,Ø15mm
Material	Steel
Surface	Electrogalvanized
Surface standard	EN ISO 19598 / EN ISO 4042
Smallest sales unit	100
Unit of quantity	Piece
Weight	0.156 kg
Weight unit	kg/100 pc.

### Dimensions

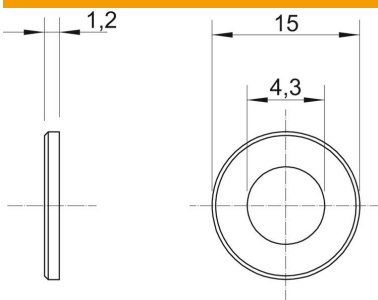


Plate thickness	0.05 in
Dimension D	0.59 in
Dimension d	0.17 in
Dimension d	4.3 mm
Dimension d max.	15 mm
Dimension d min.	15 mm
Dimension h	1.2 mm

### Technical data

Thread	M4
Material thickness	1.2 mm