

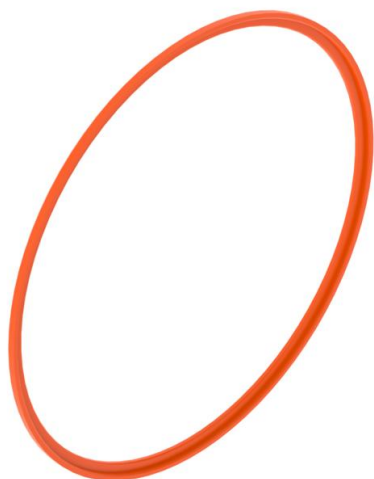
Technical data sheet

HW Compensation ring

Item number: 2003840



Compensation ring for cavity wall box \varnothing 68 mm, to compensate for large or un-round drill holes.



PP Polypropylene

Master data

Item number	2003840
Type	ZH 68-AR
Description 1	HW Compensation ring
Description 2	cavity wall device box \varnothing 68 mm
Available from	01.10.2021
Manufacturer	OBO
Dimension	\varnothing 68mm
Colour	Orange
Material	Polypropylene
Smallest sales unit	10
Unit of quantity	Piece
Weight	0.05 kg
Weight unit	kg/100 pc.

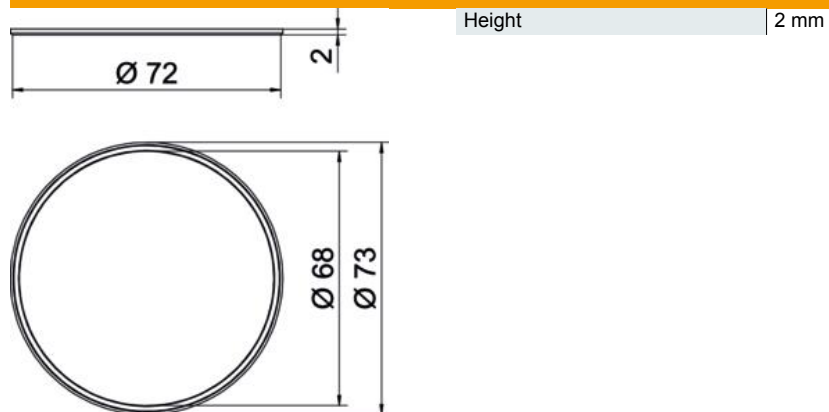
Technical data sheet

HW Compensation ring

Item number: 2003840



Dimensions



Height	2 mm
--------	------

Technical data

Flame-resistant	Acc. to VDE 0471/IEC 60695-2-11, test temperature 850°C
Shape	Round
Halogen-free	yes
Impact-resistant	yes